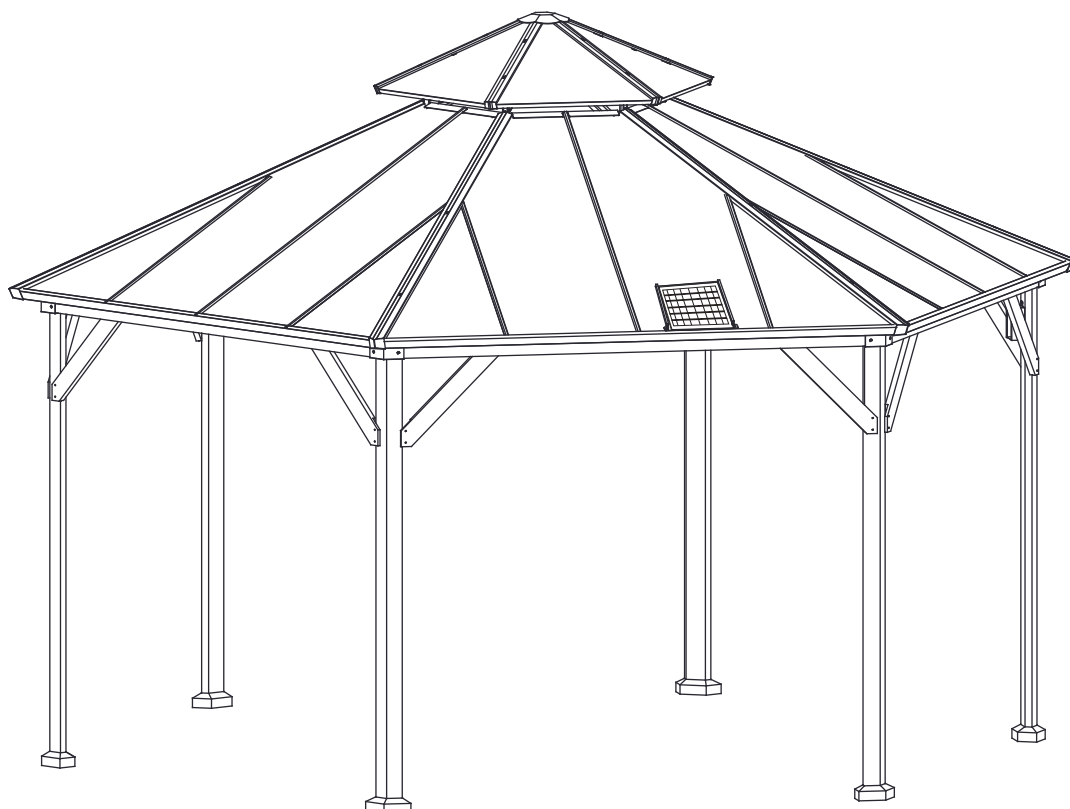


Assembly Manual

Before installation, please read the assembly instructions carefully.



FOR SKUS

OD2305Z5823

EN:We're here for you!

Please contact our customer care team before returning. We'll make it right for you.

ES:Estamos aqui para usted

Por favor, pongase en contacto con nuestro equipo de atención al cliente antes de regresar,
Lo arreglaremos por ti.

✉ Service Contact: contactus24service@gmail.com

☎ Phone Number: 951-213-4742

✉ Contacto de servicio: contactus24service@gmail.com

☎ Número de teléfono: 951-213-4742

WARNING!

EN: For your safety and to ensure proper use, please follow the provided instructions carefully. Incorrect assembly or handling may cause damage to the product or result in injury.

ES: Para su seguridad y para garantizar el uso correcto, siga las instrucciones proporcionadas cuidadosamente. El montaje o manejo incorrectos pueden causar daños al producto o resultar en lesiones.



ASSEMBLY INSTRUCTIONS



BEFORE YOU START

- EN: Read the instructions thoroughly
ES: Lea las instrucciones a fondo
- EN: Confirm parts and hardware.
ES: Confirme las piezas y el hardware.
- EN: A mild odor may occur due to packaging -it will fade after a few days.
ES: Un olor suave puede ocurrir debido al envasado - se desvanecerá después de unos días.



SAFETY TIPS



EN: Avoid over-tightening the screws.
ES: Evite apretar demasiado los tornillos.



EN: Estimated Time **3-4 hours**
ES: Tiempo estimado **3-4 hours**



EN: Difficulty
ES: Dificultad
★★★★☆



EN: Installers Required **4 people**
ES: Instaladores Requeridos **4 personas**

Table of Contents

Table of Contents.....	3
Safety Information.....	4-5
Pre-installation.....	6
Tools Required.....	6
Recommended Tools.....	6
Partslist.....	7-11
Installation Instructions.....	12-34
Item Maintenance & Precautions.....	35

Safety Information

Product is NOT INTENDED for the following:

- A safety barrier to prevent unsupervised access to pools, hot tubs, spas or ponds.
- As load bearing support for a building, structure, heavy objects or swings.
- Used in structures that trap wind, rain or snow that would create extra load on the product.

Accumulated snow must be removed from roof.

DO NOT climb or walk on roof for any reason.

Permanent structures may require a building permit. As the purchaser and or installer of this product you are advised to consult local planning, zoning and building inspection departments for guidance on applicable building codes and/or zoning requirements.

Wood is NOT flame retardant and will burn. Grills, fire pits and chimineas are a fire hazard if placed too close to a structure. Consult user's manual of the grill, fire pit or chimnea for safe distances from combustible materials.

Wear gloves to avoid injury from possible sharp edges of individual elements before assembly.

During installation, follow all safety warnings provided with your tools and use OSHA approved safety glasses. Some structures may require two or more people to install safely.

Check for underground utilities before digging or driving stakes into the ground!

It is important during assembly to closely follow the instructions, complete the assembly on a solid level surface and that you follow the instruction to square up, level and anchor the structure, this will reduce the gap at wood connections during assembly.

General Information

General Information: Wood components are manufactured with Cedar (C. Lanceolata) which is protected with factory applied water-based stain. Knots, small checks (cracks) and weathering are naturally occurring and do not affect the strength of the product. Annual application of a water-based water repellent sealant or stain is important and will help reduce weathering and checks.

Safety Information

Installation qualification requirements

- Must be installed by 4 healthy adults (3 minimum, 4 recommended for stability).
- Compliance with ANSI/SPRI RP44-2021 (structural safety) and local building codes (e.g., IRC 2021) is mandatory.
- Professional contractor recommended for permanent installation (verify state-level contractor license).
- One-person installation is strictly prohibited (risk of structural collapse or falls).

Pre-installation inspection

- Verify that all parts are intact
- Verify tool availability (specialized tools such as power drills)
- Verify local building code requirements (including structural/drainage/ electrical standards)

Personal protection standard

- Eye Protection: OSHA-approved ANSI Z87.1 certified impact-resistant goggles (anti-wood/aluminum chip splash).
- Hand Protection: Industrial-grade cut-resistant gloves (ANSI/ISEA 105 Level 3+, thickness \geq 2mm).
- Respiratory Protection: N95 respirator (required when cutting/drilling to avoid dust inhalation).
- Head Protection: ANSI Z89.1 certified hardhat (mandatory for ladder use above 6ft).

Power tool operation

- Use only UL-listed power tools rated for 120V AC (U.S. standard voltage).
- Limit continuous use to \leq 15 minutes to prevent overheating.
- Wear ASTM D120 certified insulated gloves when operating electrical tools.
- All power connections must be GFCI (Ground Fault Circuit Interrupter) protected.

Pergola structural assembly requirements

- Prohibit any structural modifications (maintain original design)
- Double verification of connection tightness (torque values according to manual)
- Link the wires according to the specification of the manual

Extreme weather conditions

- Snow Load: Remove accumulated snow immediately (max safe load: 5psf/0.24kPa) - comply with ASCE 7-16 snow load standards.
- High Wind: Do not use if wind speed exceeds 25mph (40km/h); anchor stakes (TT) firmly in ground for wind resistance.
- Fire Hazard: Wood is combustible - keep grills/fire pits at least 10ft (3m) away from the pavilion (complies with NFPA 1144).

Pre-installation

PLANNING INSTALLATION

To prevent damage, place all parts on a soft surface during assembly.
Tools required for assembly (not included): Allen wrench (included), hammer, screwdriver, stepladder, level and other safety items such as gloves, safety goggles and hardhat.

NOTE | Tools and protective articles below are not provided.

TOOLS REQUIRED



Safety goggles



Gloves



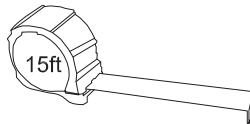
Hardhat



Level

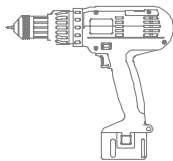


8-Foot Ladder
(Must have 2 ladders.)

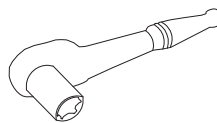


15-Foot
Tape measure

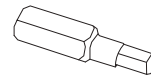
RECOMMENDED TOOLS



Cordless drill or drive
with 4mm Allen head bit



Socket wrench with
10mm and 14mm socket





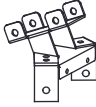
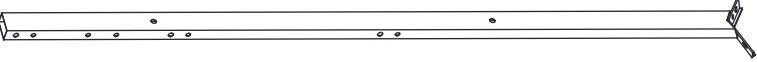

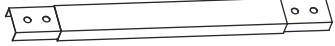

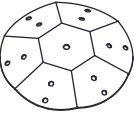
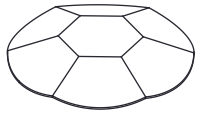

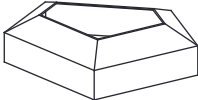


3mm / 4mm / 5mm / 6mm
Allen or Hex bit





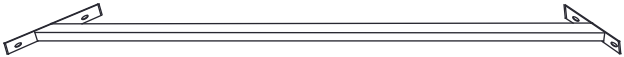










Driver bit extension
(4-inch recommended)

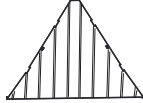
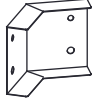

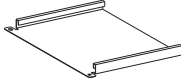
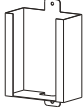
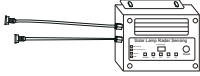
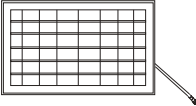


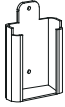

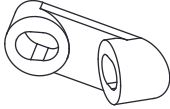
Included Parts

PART	QTY	DIAGRAM
Post A	6	
Lintel B1	6	
Diagonal brace B2	6	
Diagonal brace B3	6	
Top Connector C	6	
Top Bar D	6	
Roof Ring E1	3	
Roof Ring E2	3	
Small Top Bar F	6	
Central Connector G1	1	
Canopy G2	1	
Base H	6	
Base Cover I	6	

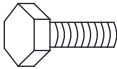
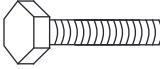
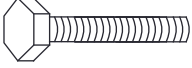
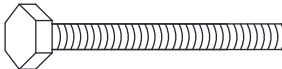


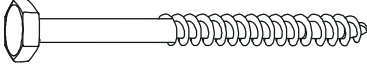






Included Parts

PART	QTY	DIAGRAM
Hook J	1	
Small Top Roof Cover K1	6	
Big Top Panel Cover K2	6	
Panel Holder L1	6	
Panel Holder L2	6	
Panel Holder L3	6	
Panel Holder L4	6	
Edge banding M	6	
Big Roof Edger N1	6	
Big Roof Edger N2	6	
Big Top Panel N3	6	
Big Top Panel N4	6	
Short Trim Strip O	6	



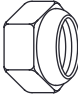

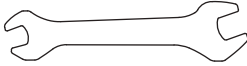


Included Parts

PART	QTY	DIAGRAM
Small Top Panel P	6	
Corner Protector Q	6	
Light Channel R	6	
Solar-Powered Frame S1	1	
Solar Cell Box S2	1	
Solar Lamp Radar Sensing T	1	
Monocrystalline Photovoltaic U1	1	
LED Strip Light U2	1	
Light Strip Retaining Strip U3	6	
Remote Control Case V1	1	
Remote Control V2	1	
Connector W1	6	

Included Parts



PART	QTY	DIAGRAM
Bolt M6*15) AA	216	
Bolt M6*30 BB	12	
Bolt M6*35 CC	12	
M6*52 DD	12	
M8*100mm Bolt EE	12	
M6*35mm Bolt FF	48	
M8*60mm Bolt GG	12	
M4*15mm Bolt HH	18	
M5*20mm Bolt II	4	
M5*25 mm screw JJ	36	
M5*35 mm screw KK	36	
M5 Washer LL	2	
M6 Washer MM	276	

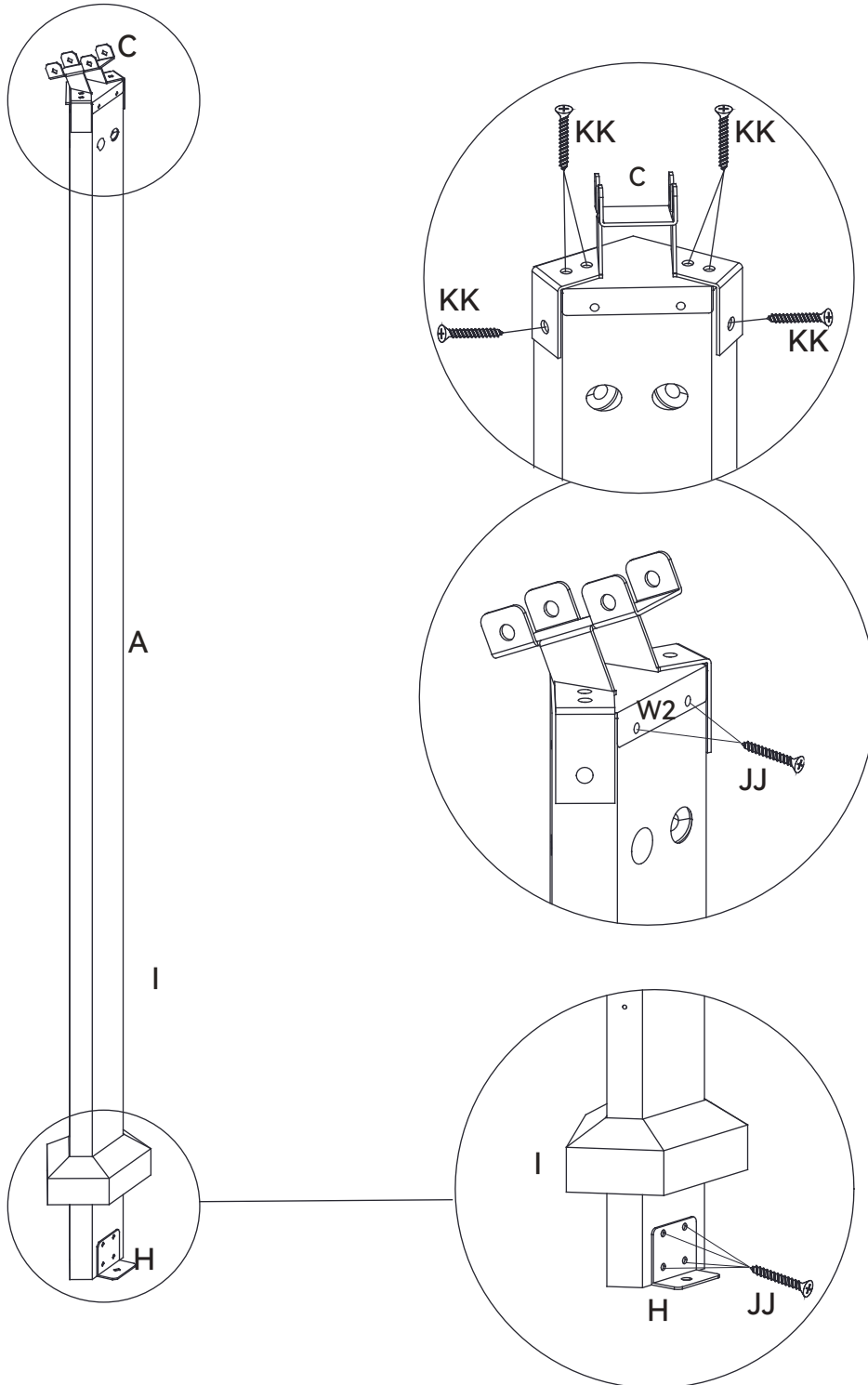
Included Parts

PART	QTY	DIAGRAM
M8 Washer NN	24	
Plastic Washer OO	24	
M8 Nut PP	12	
M6 Nut QQ	12	
M6*52 RR	2	
Allen Wrench 5# SS	1	
Stake TT	6	

Installation Instructions





1 Installing the Post

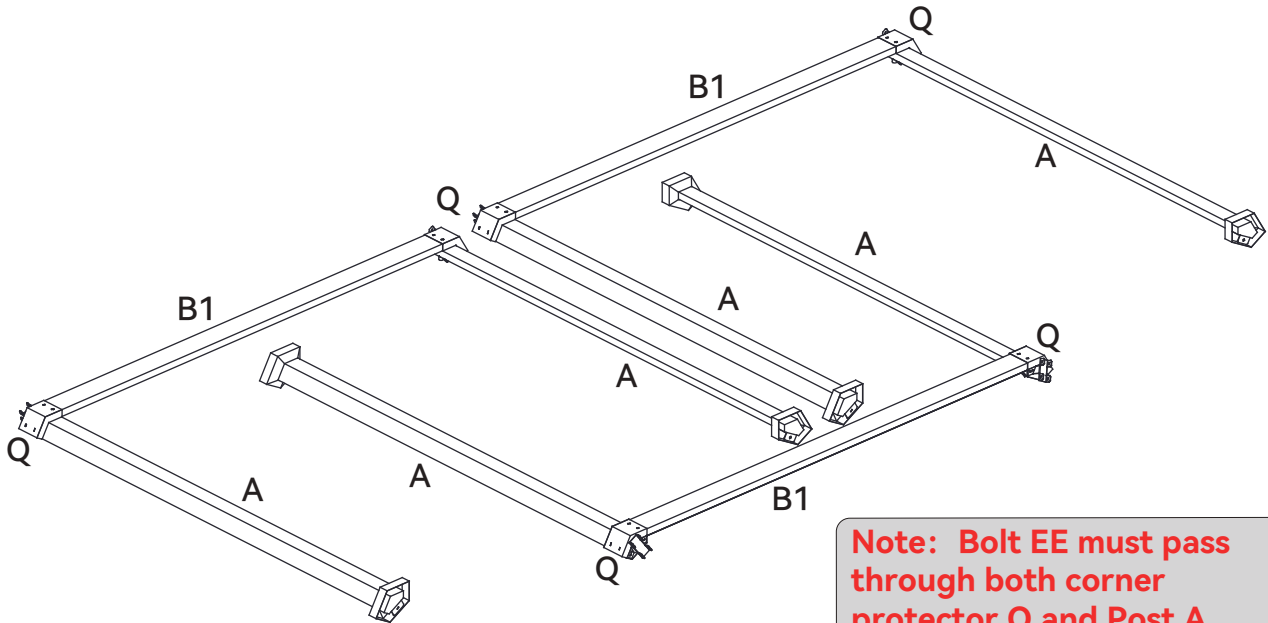
JJ	 M5*25	x36
KK	 M5*35	x36



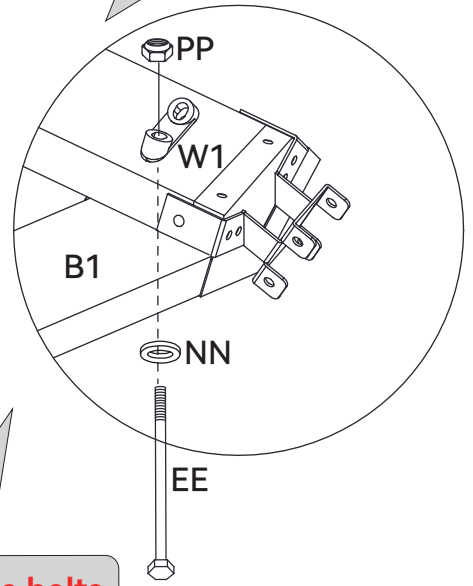
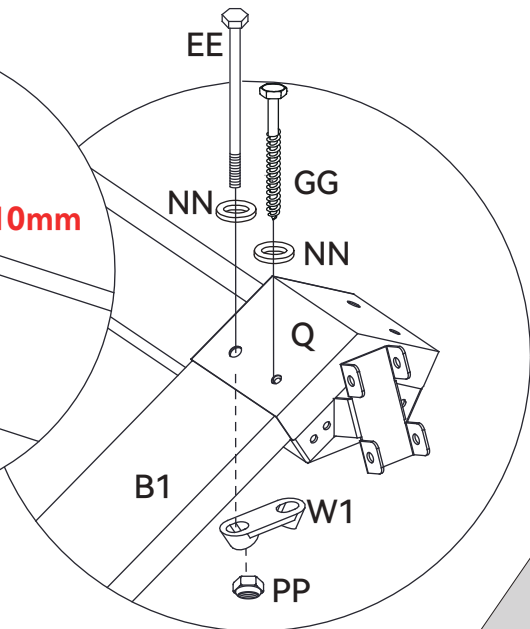
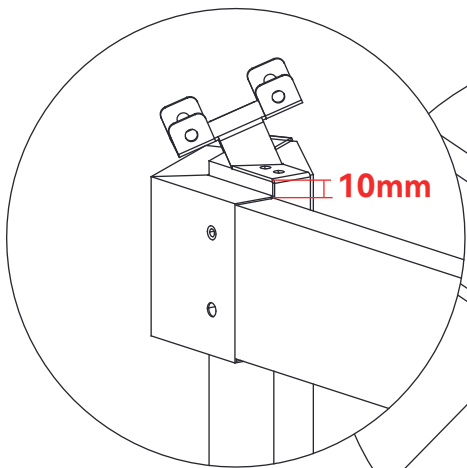
Installation Instructions

2 Installing the Lintel

EE		M8*100	x6
GG		M8*60	x6
NN		M8	x12
PP		M8	x6







Note: Bolt EE must pass through both corner protector Q and Post A, then through connector W1, and finally secured with nut PP.

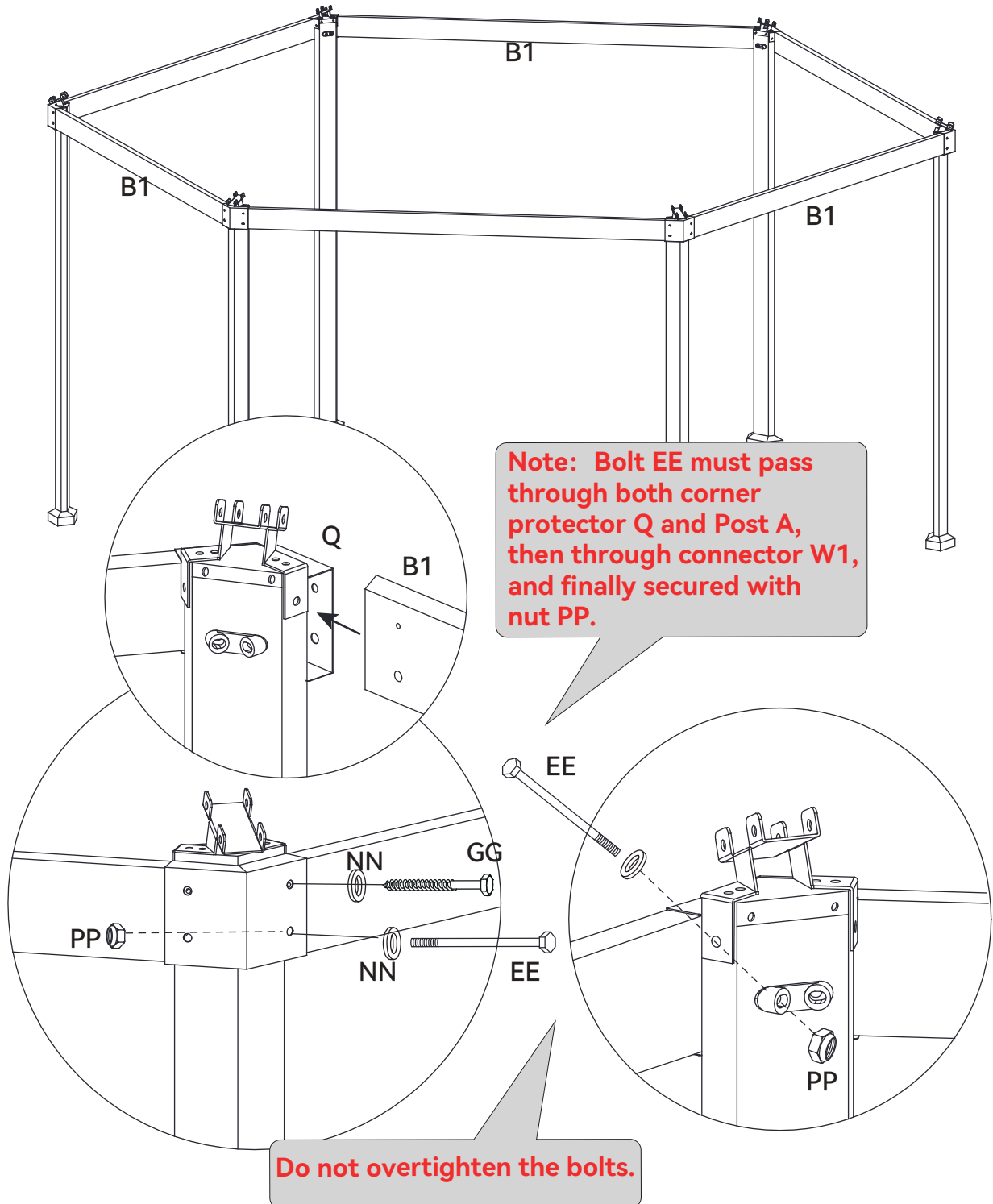


Do not overtighten the bolts.

Installation Instructions

3 Installing the Lintel

EE		M8*100	x6
GG		M8*60	x6
NN		M8	x12
PP		M8	x6



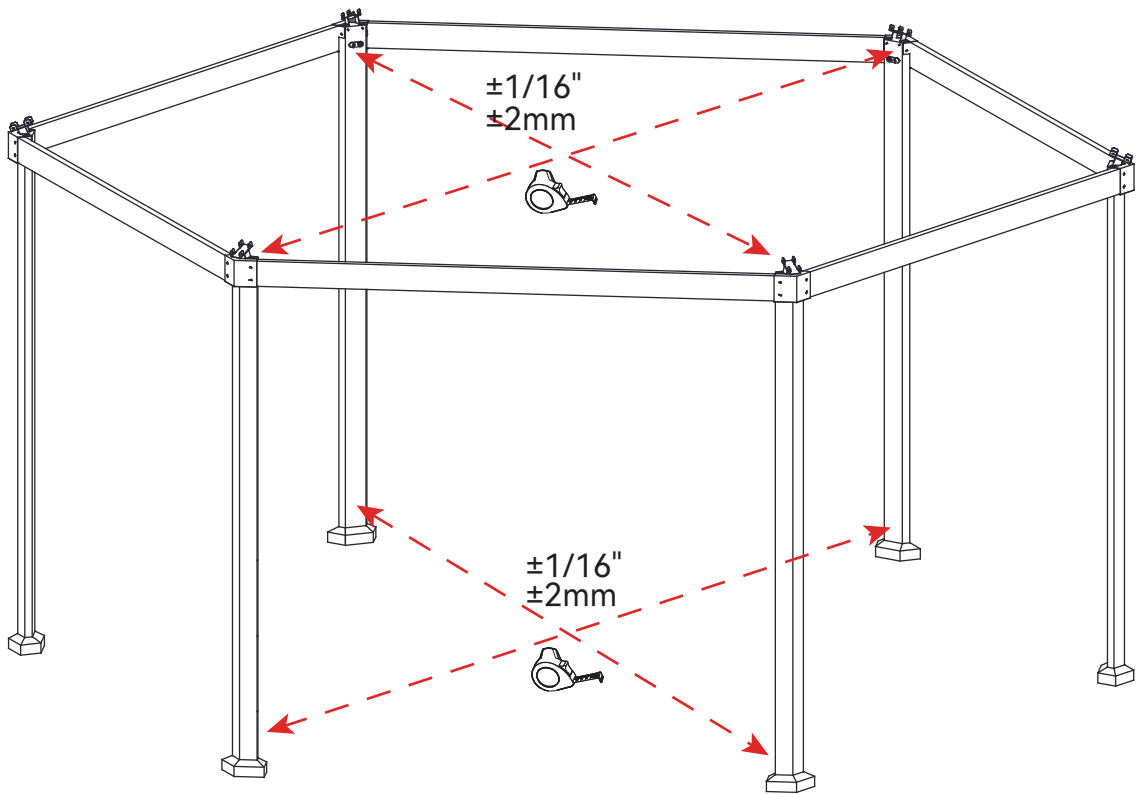
Note: Bolt EE must pass through both corner protector Q and Post A, then through connector W1, and finally secured with nut PP.

Do not overtighten the bolts.

Installation Instructions



4

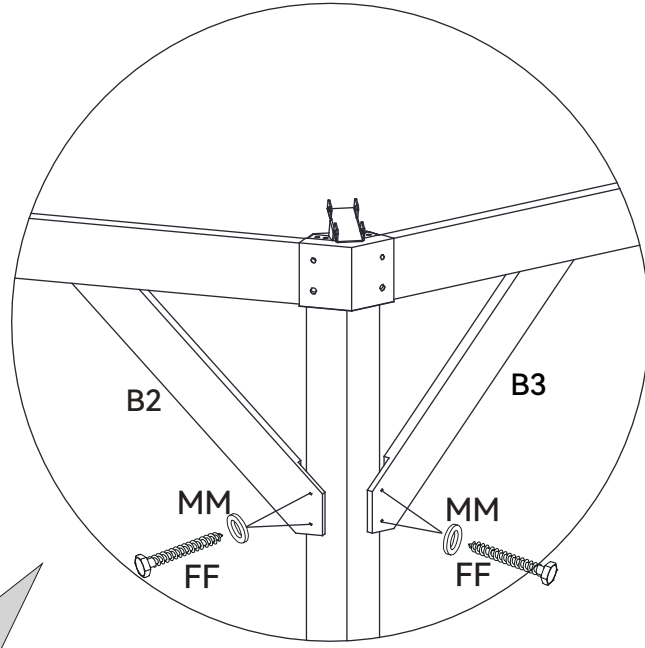
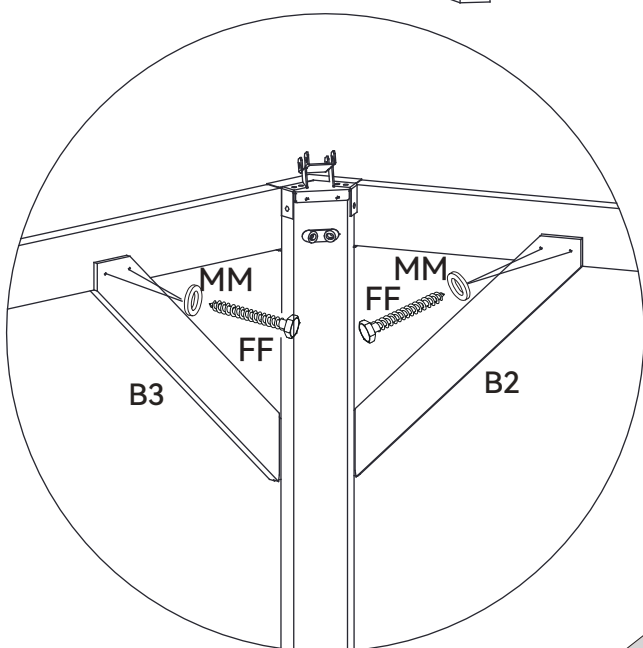
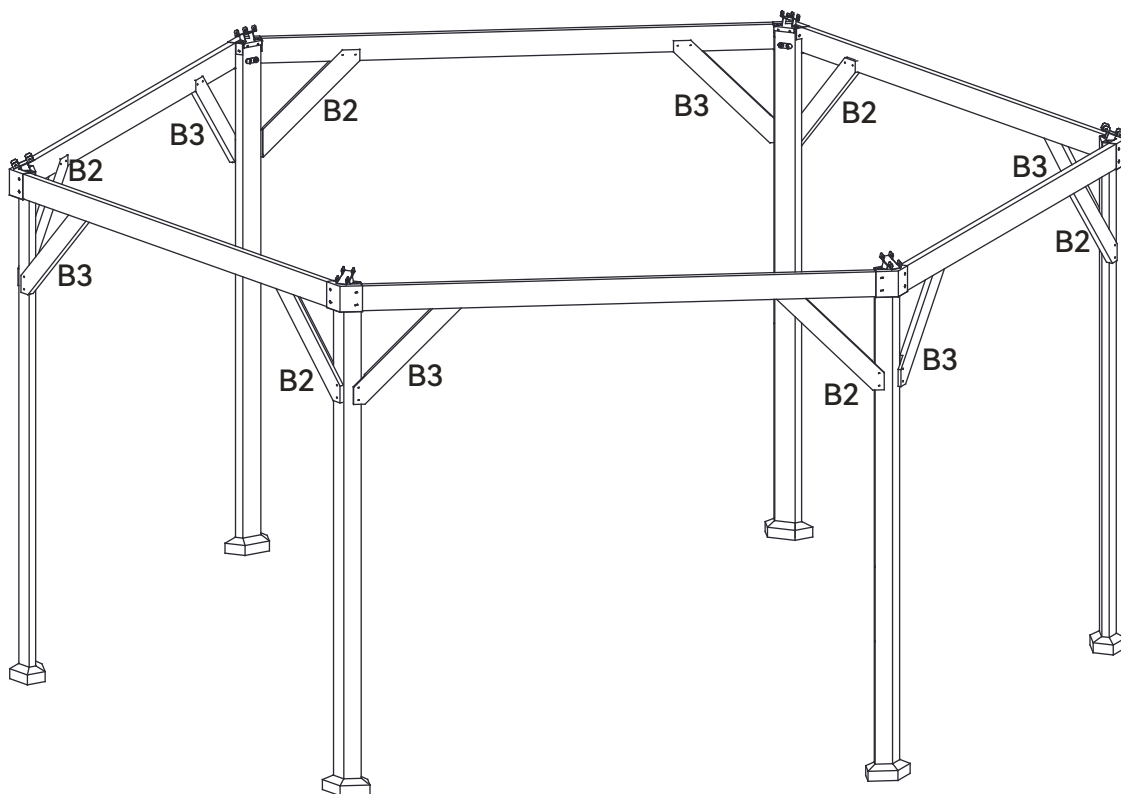
IMPORTANT: After this step of assembly is completed, measure the distance between the inside of the post and the diagonal distance with a tolerance of $\pm 2\text{mm}$.



Installation Instructions

5 Installing the Diagonal Brace

FF		M6*35	x48
MM		M6	x48

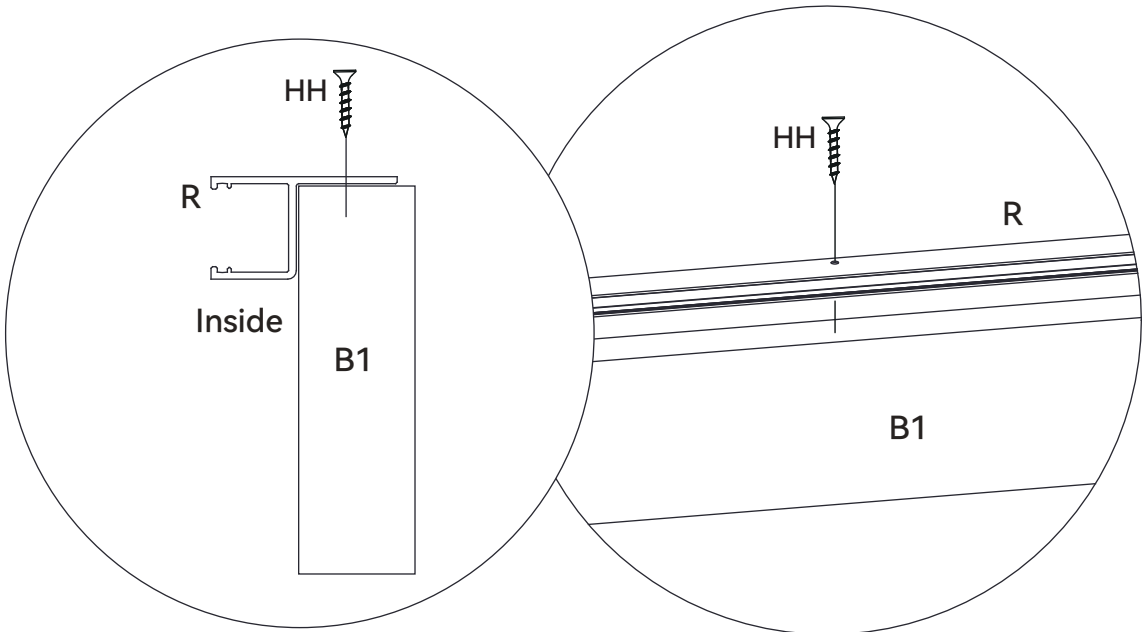
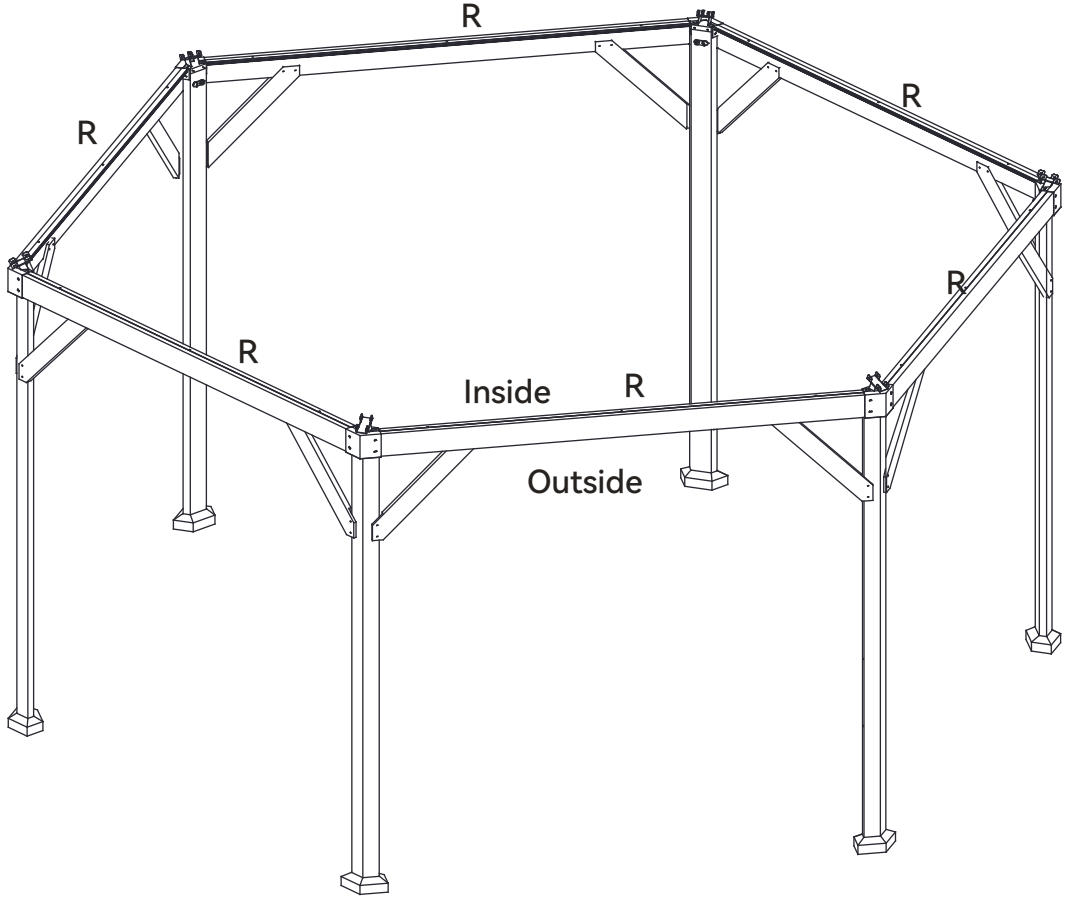


IMPORTANT: After measuring the diagonal, tighten all bolts.

Installation Instructions

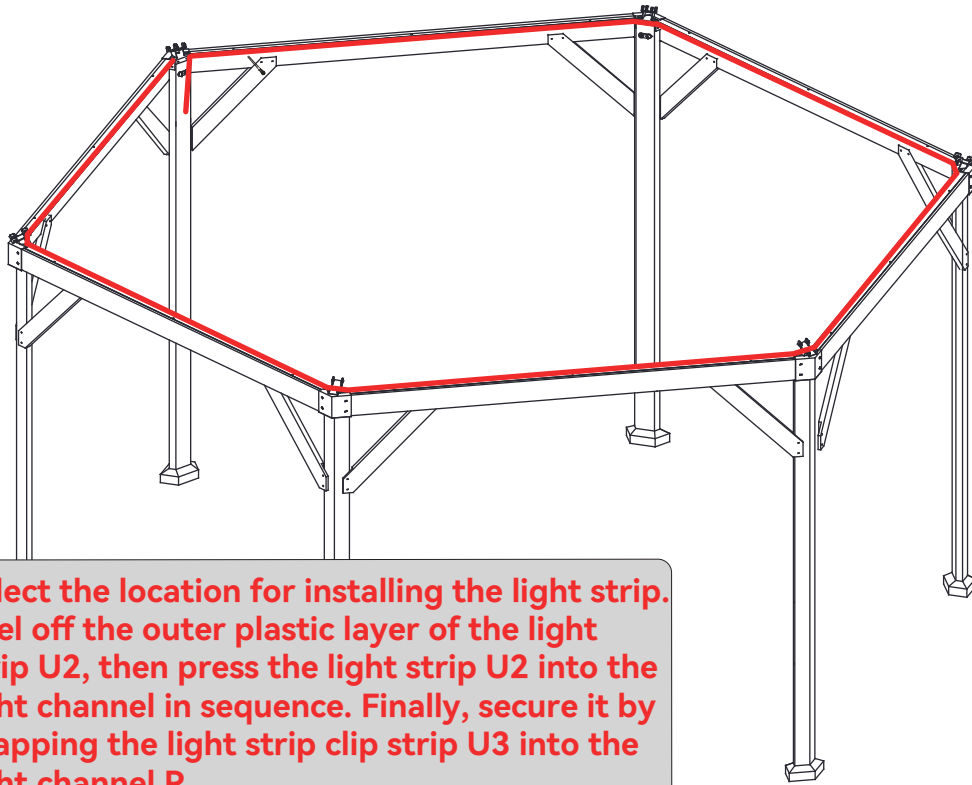
6 Installing the Light Channel

HH		M4*15	x18
----	---	-------	-----

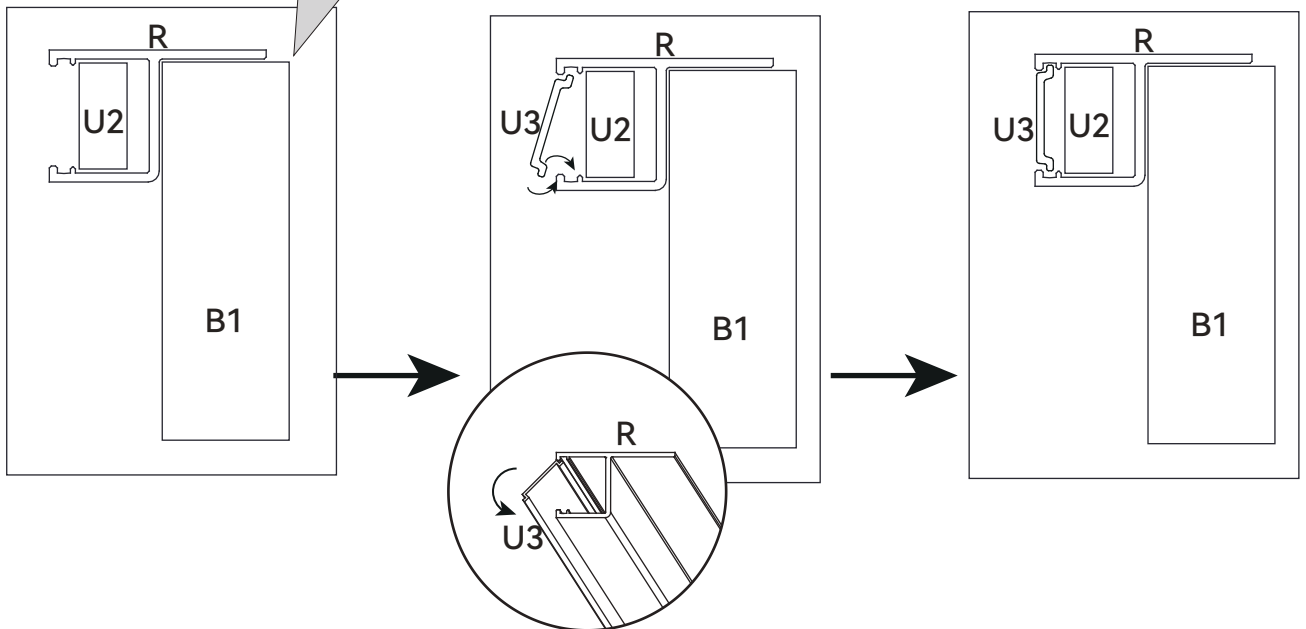


Installation Instructions

7 Installing the LED Strip Light





Select the location for installing the light strip. Peel off the outer plastic layer of the light strip U2, then press the light strip U2 into the light channel in sequence. Finally, secure it by snapping the light strip clip strip U3 into the light channel R.

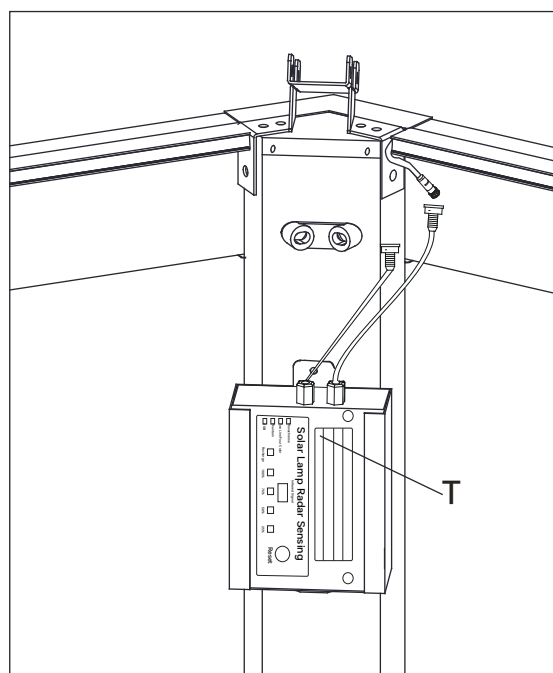
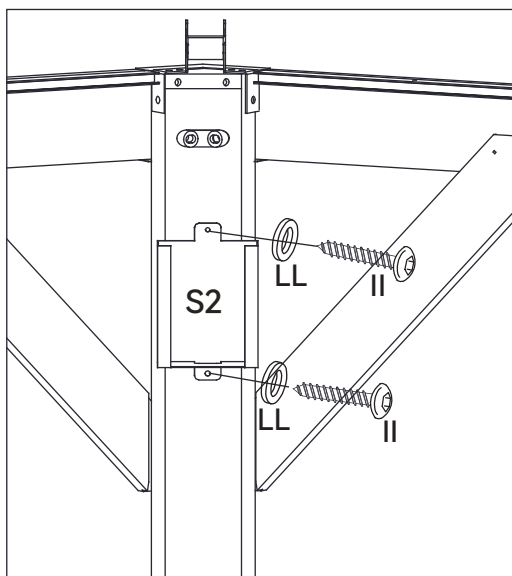
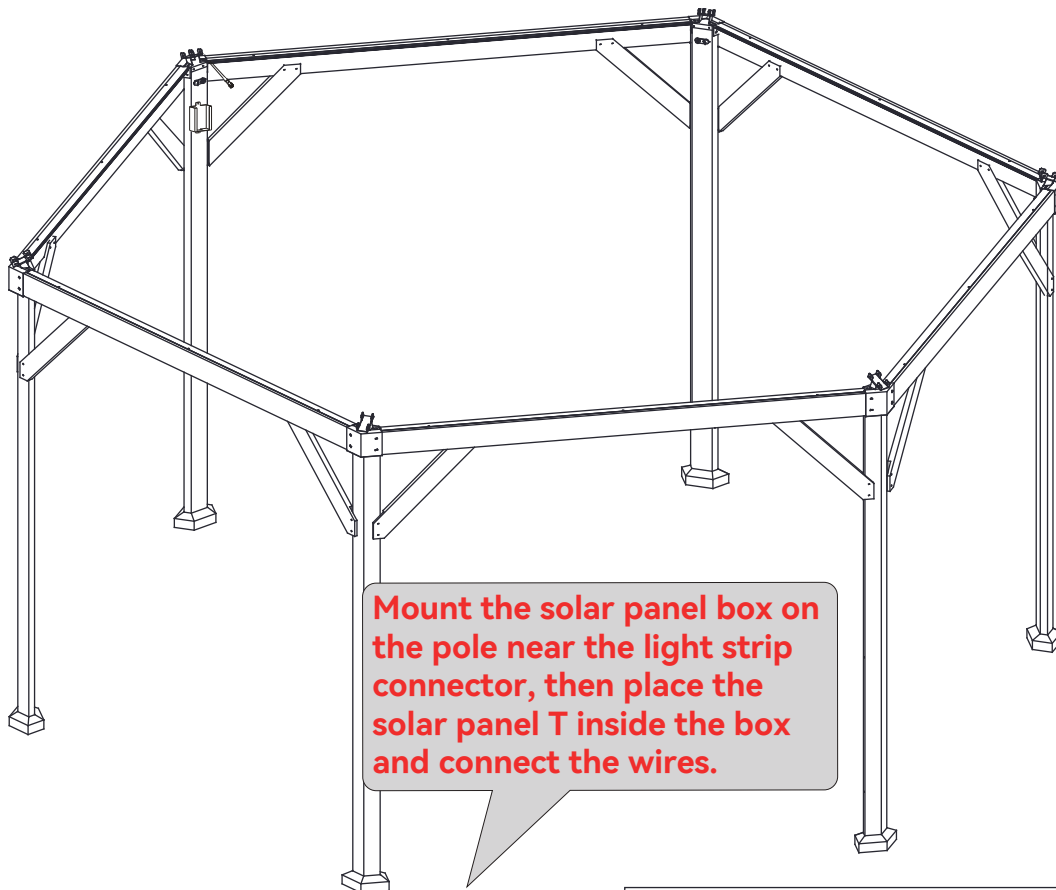


When pressing the U3 light strip clip into the light channel, first insert one end into the bottom of the channel. Then press it into the clip slot at the top of the channel using your hand.

Installation Instructions



8 Installing the Solar Lamp Radar Sensing

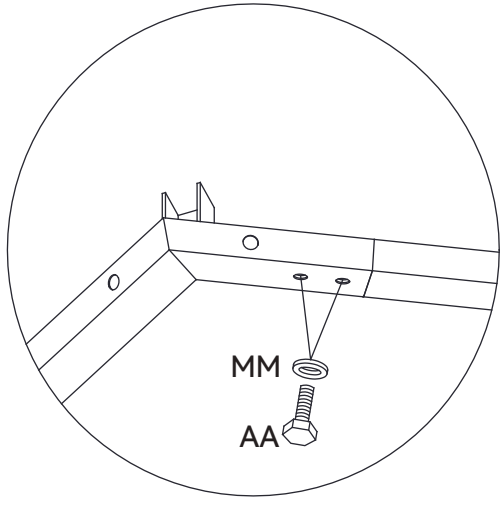
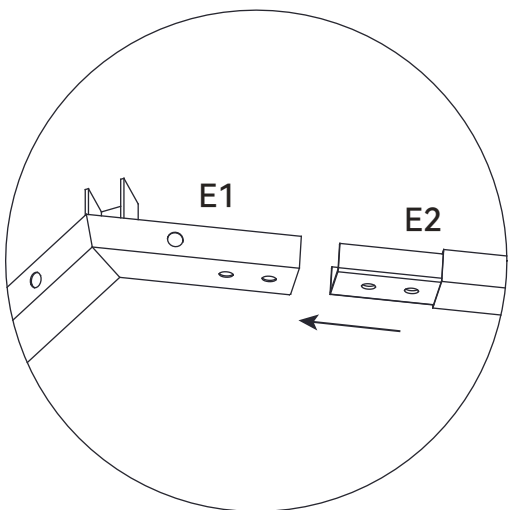
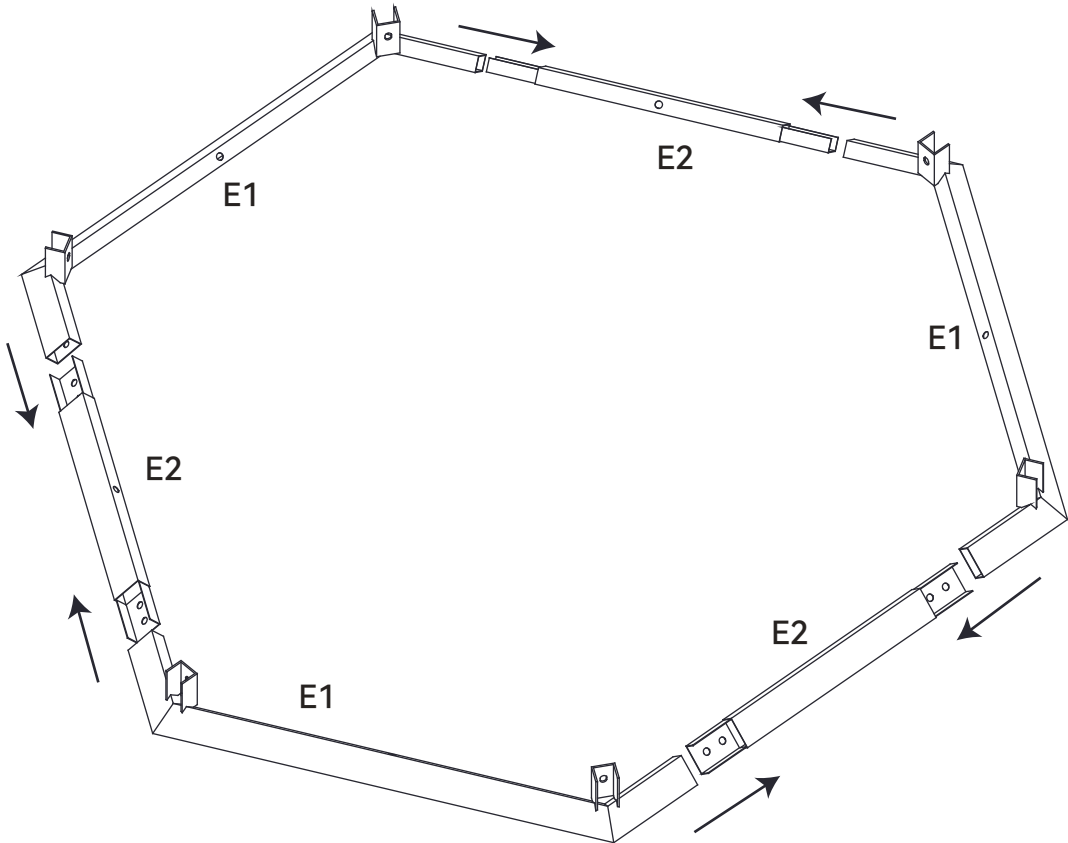
II		M5*20	x2
LL			x2



Installation Instructions

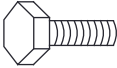
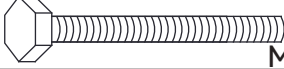


9 Installing the Roof Ring

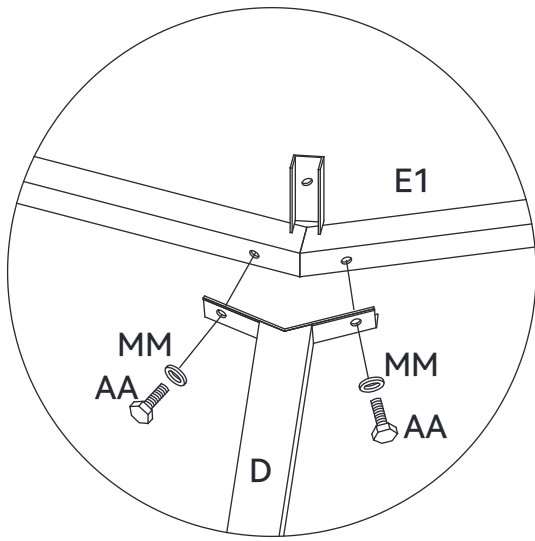
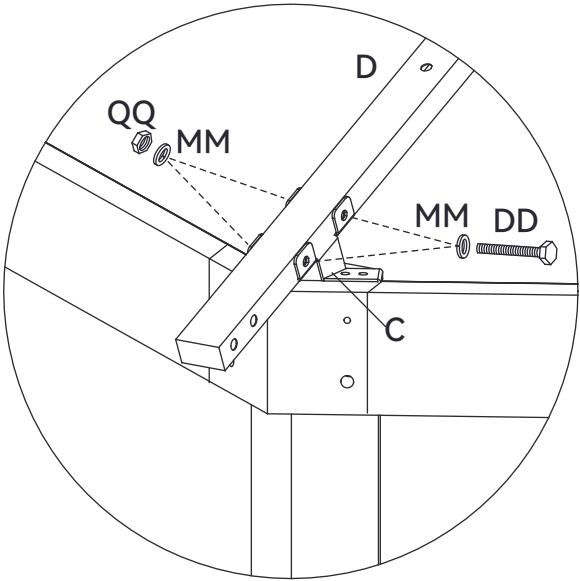
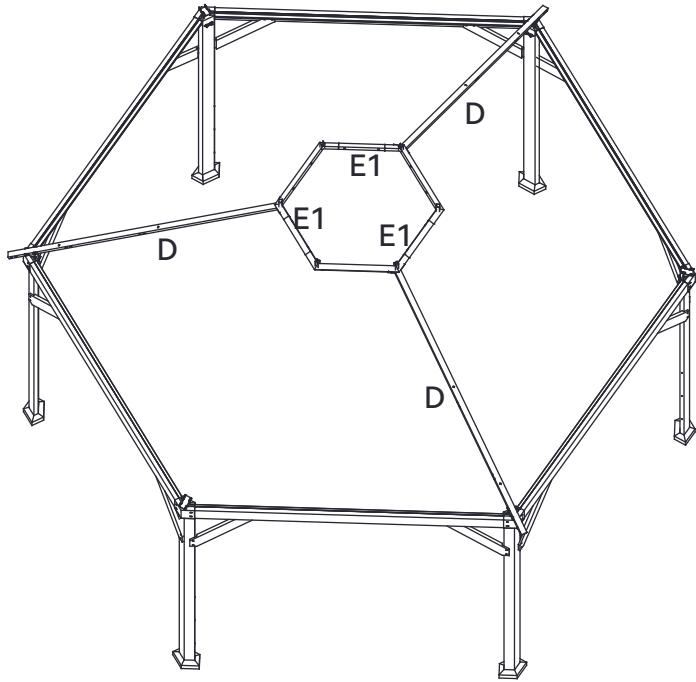
AA		M6*15	x12
MM		M6	x12



Installation Instructions

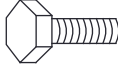
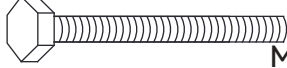


10 Installing the Top Bar

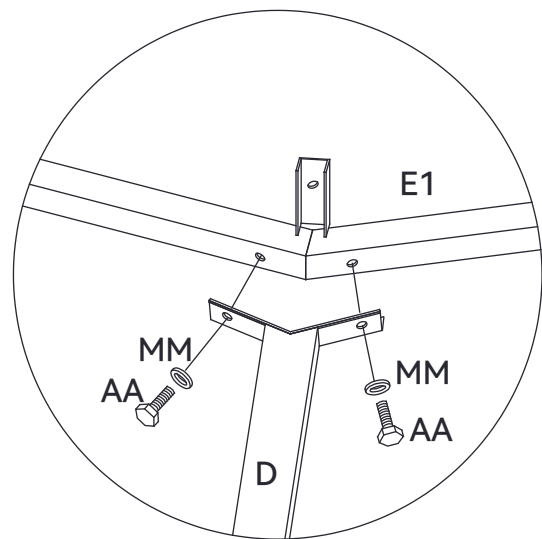
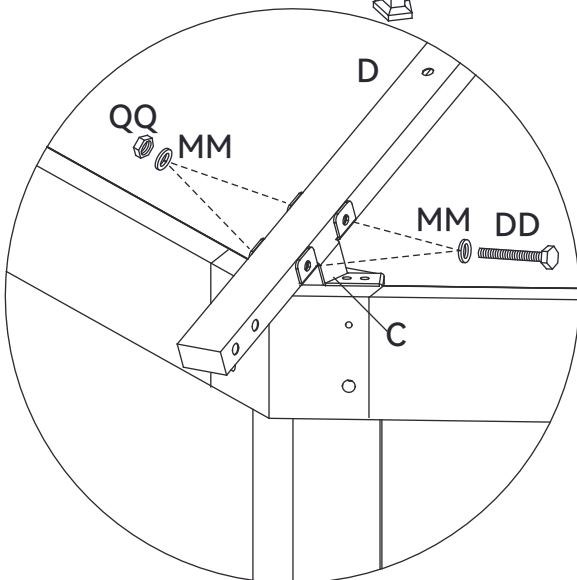
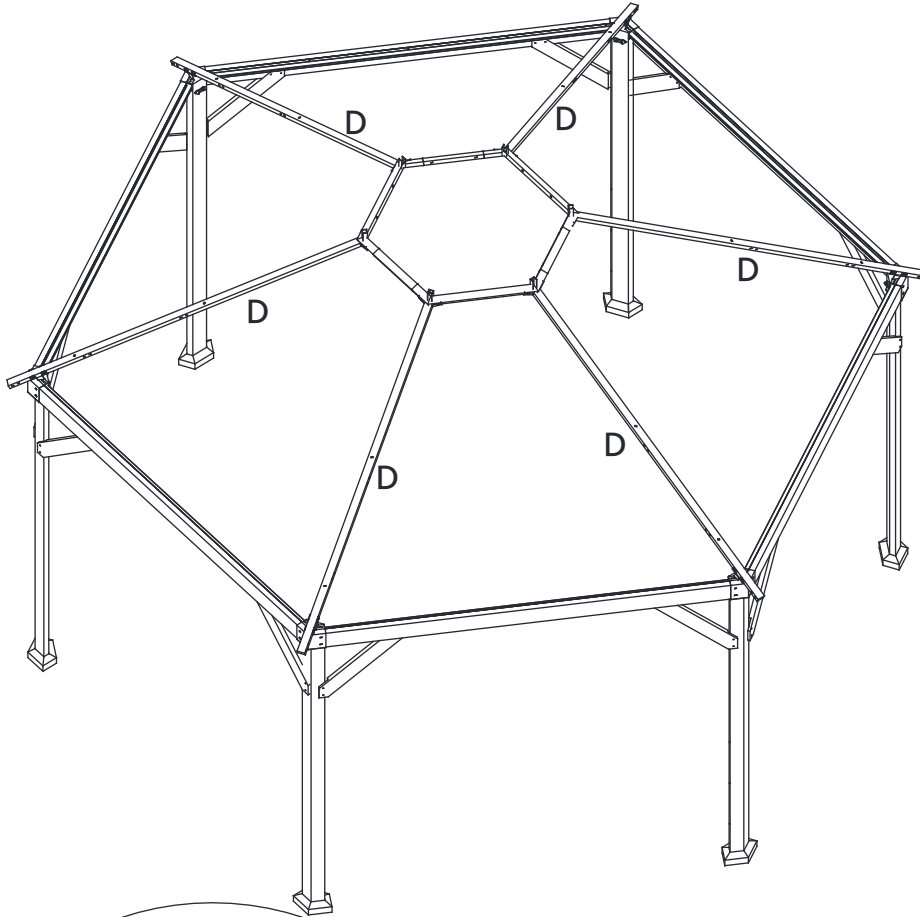
AA		M6*15	x6
DD		M6*52	x6
MM		M6	x12
QQ		M6	x6



Installation Instructions

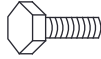

11 Installing the Top Bar

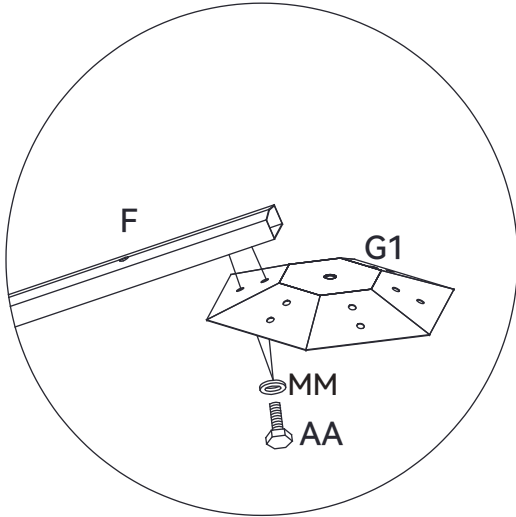
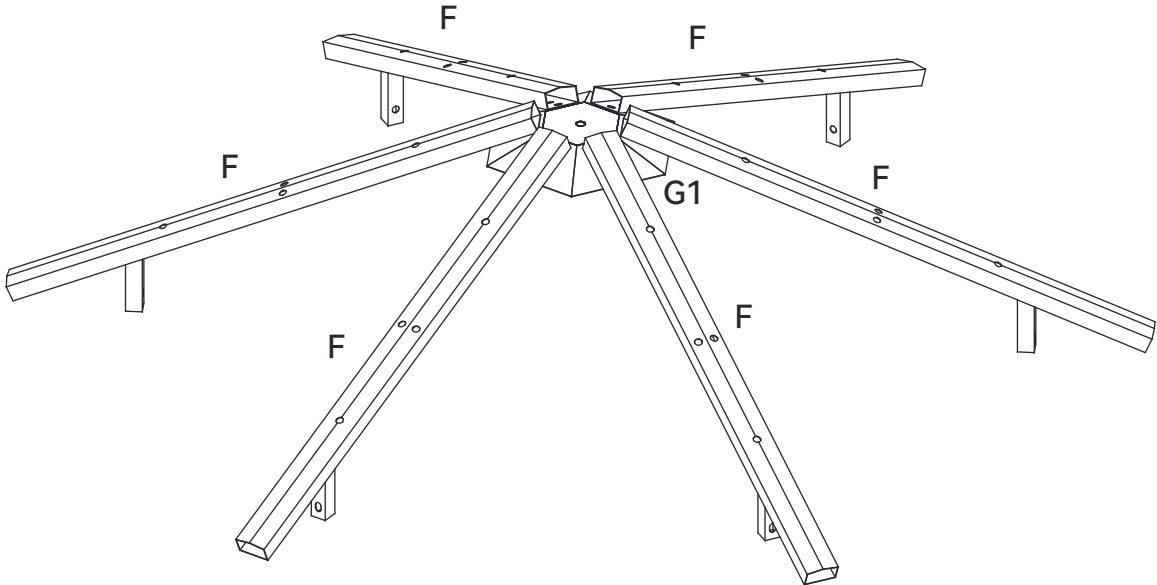
AA		M6*15	x6
DD		M6*52	x6
MM		M6	x12
QQ		M6	x6



Installation Instructions

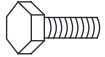

12 Installing the Small Top Bar

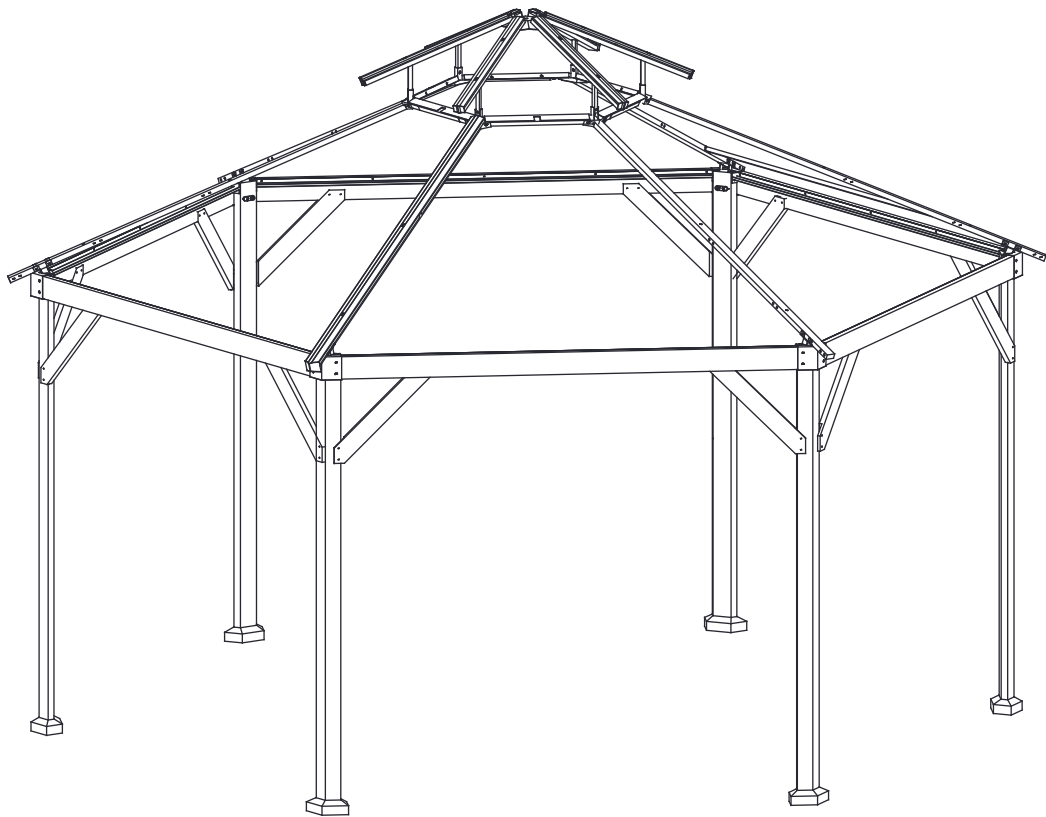
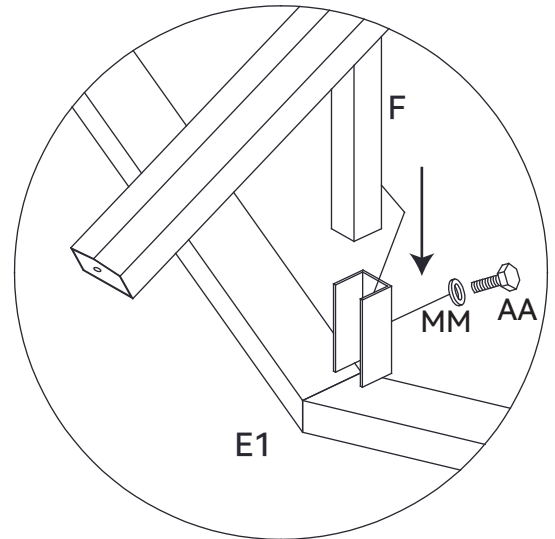
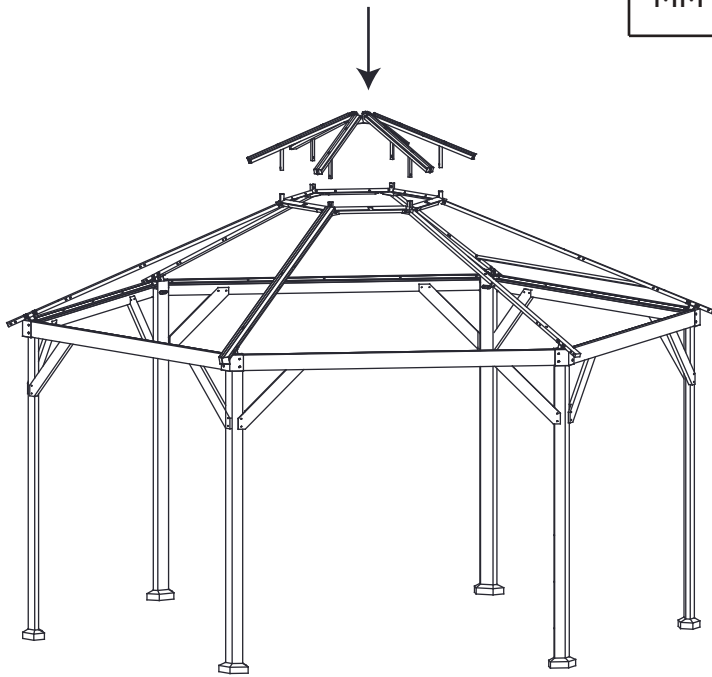
AA		M6*15	x12
MM		M6	x12



Installation Instructions

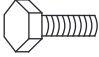

13 Installing the Small Top Bar

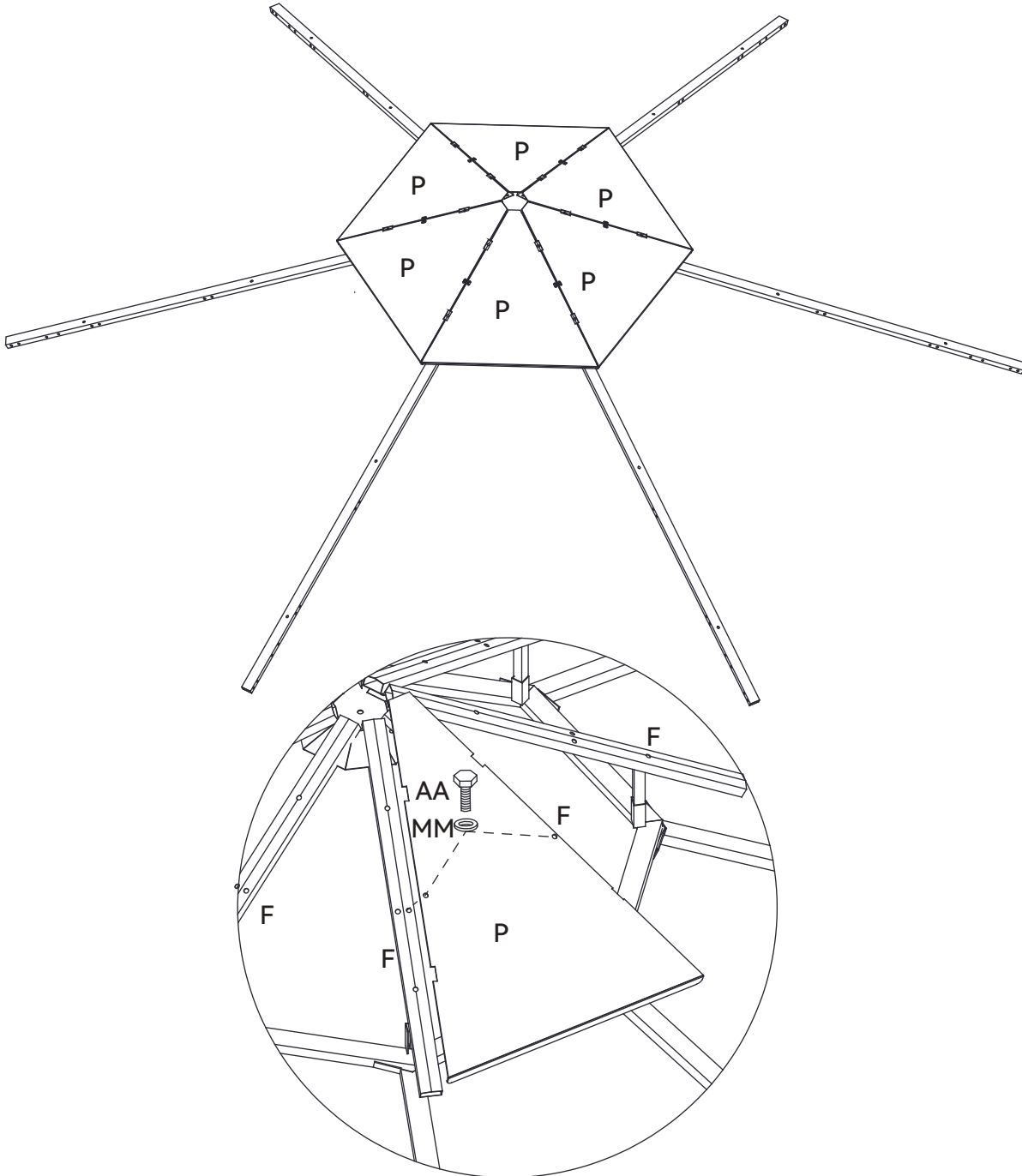
AA		M6*15	x6
MM		M6	x6



Installation Instructions

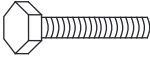

14 Installing the Small Top Panel

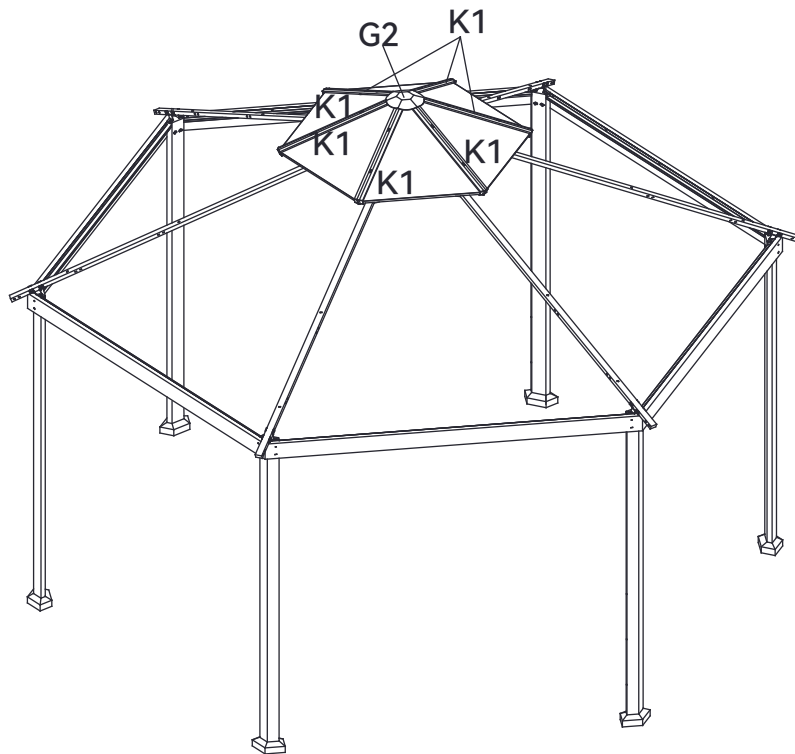
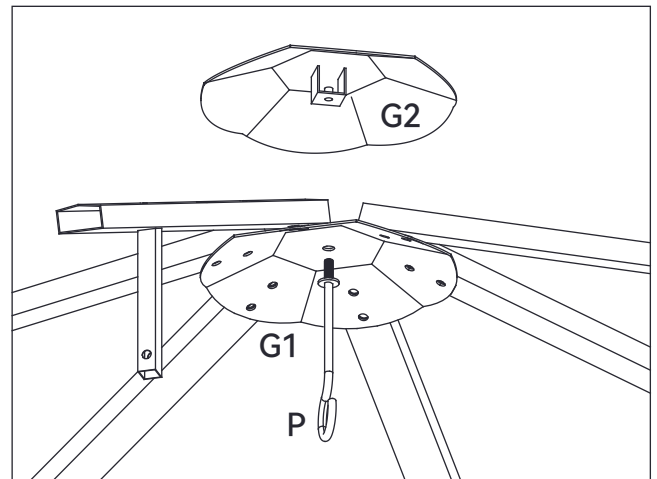
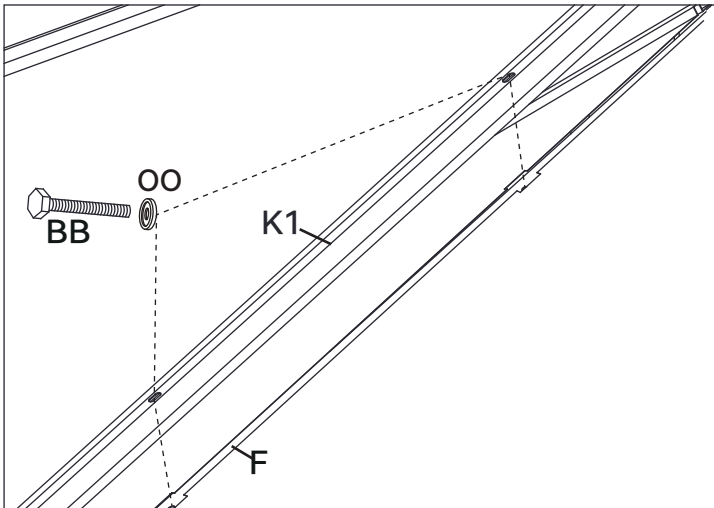
AA		M6*15	x12
MM		M6	x12



Installation Instructions

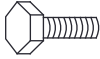

15 Installing the Canopy

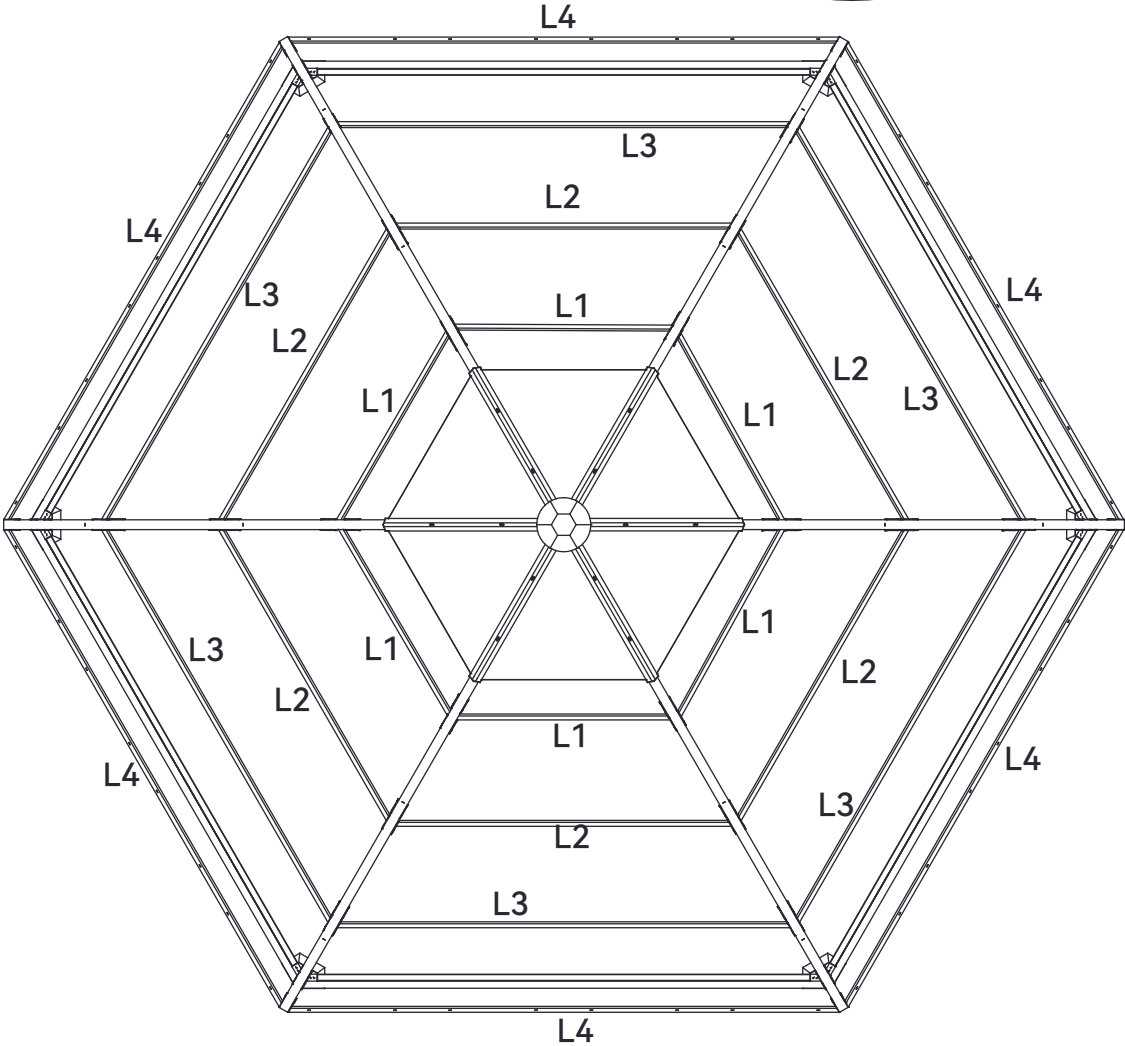
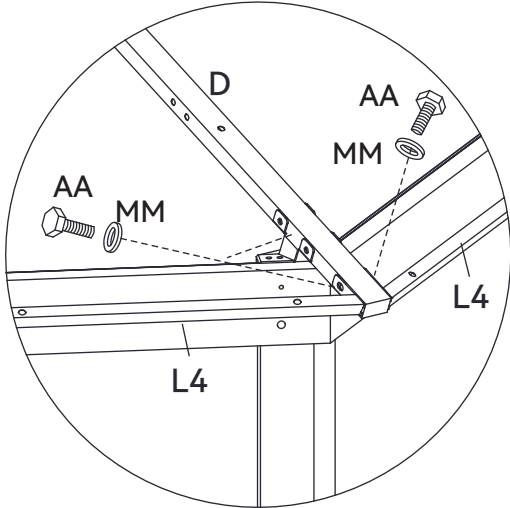
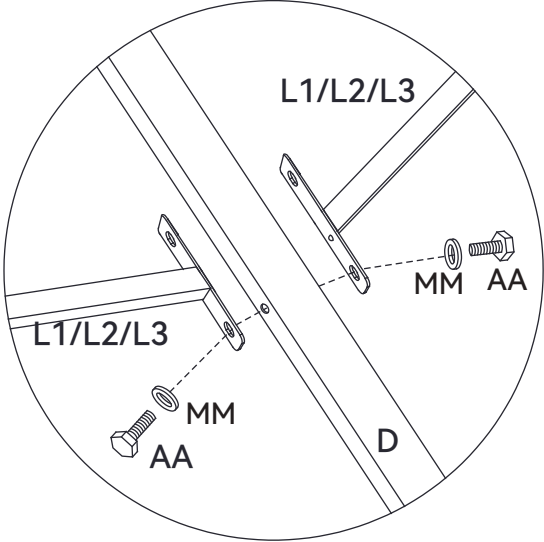
BB		M6*30	x12
OO			x12



Installation Instructions

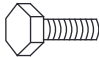

16 Installing the Panel Holder

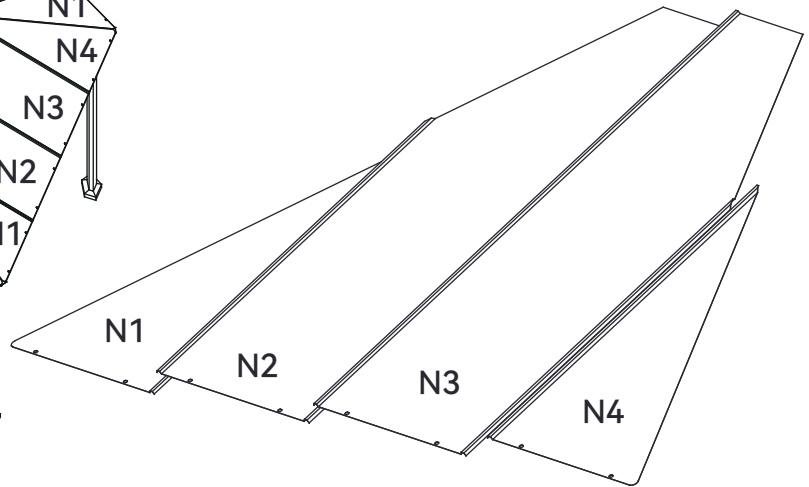
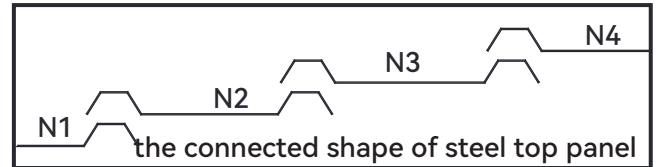
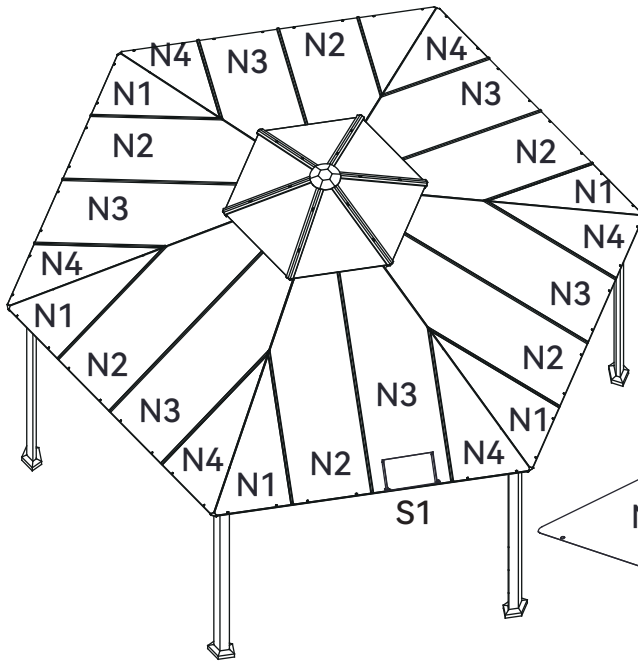
AA		M6*15	x84
MM		M6	x84



Installation Instructions

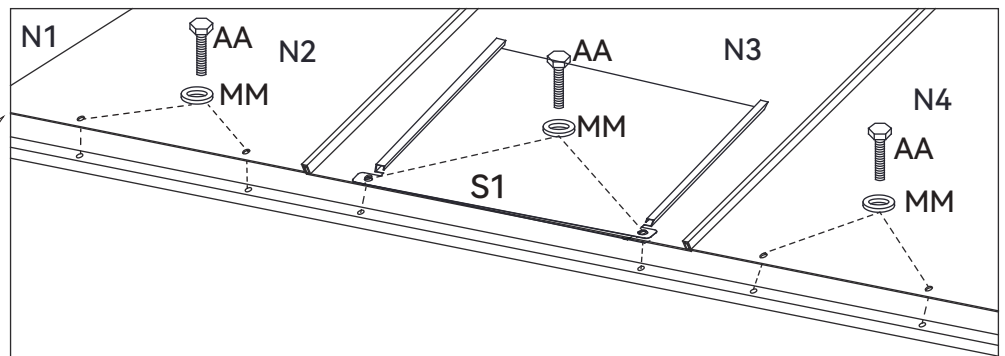
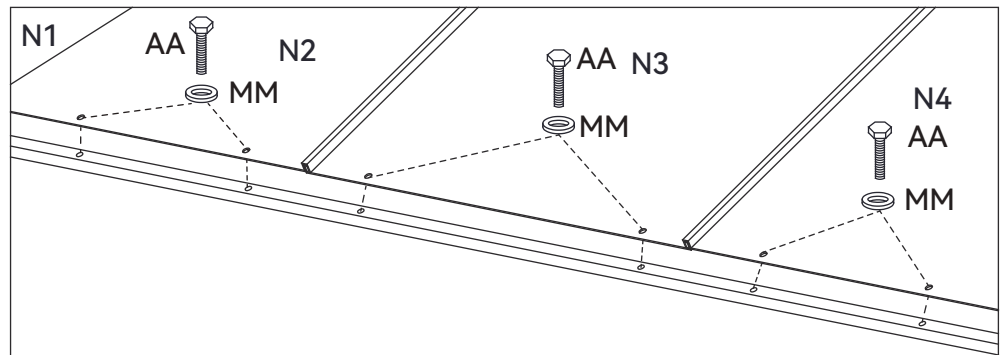
17 Installing the Big Top Panel

AA		M6*15	x48
MM		M6	x48



NOTE: Don't tighten the screws firstly until all roof borders are installed.

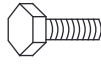

- Assembled by 2 persons.
- Do not tighten the screws until all roof panels finish installation. If tighten them from the beginning, you will not be able to install all the roof panels properly.

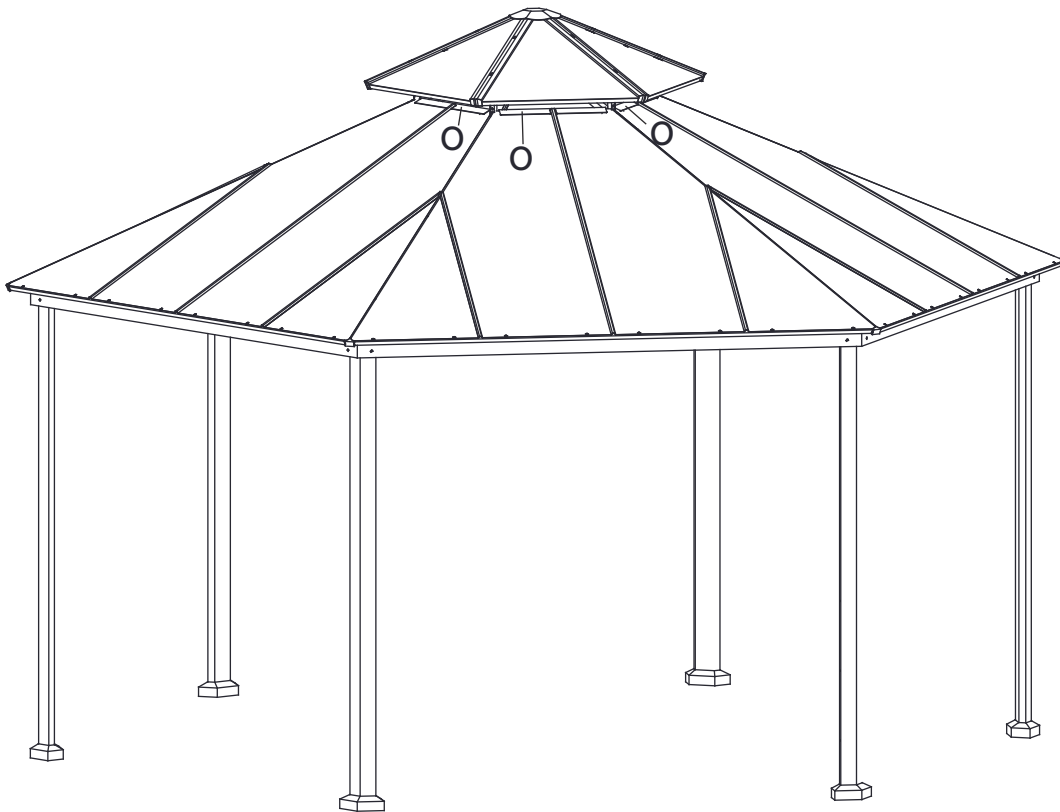
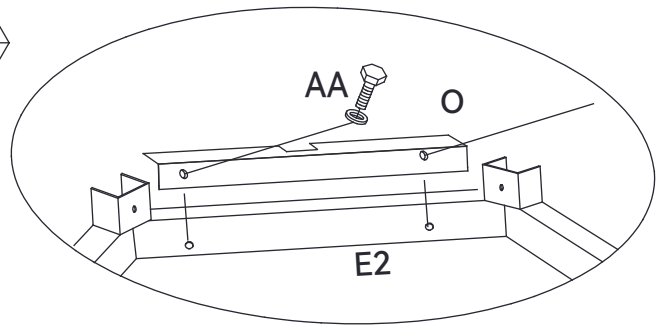
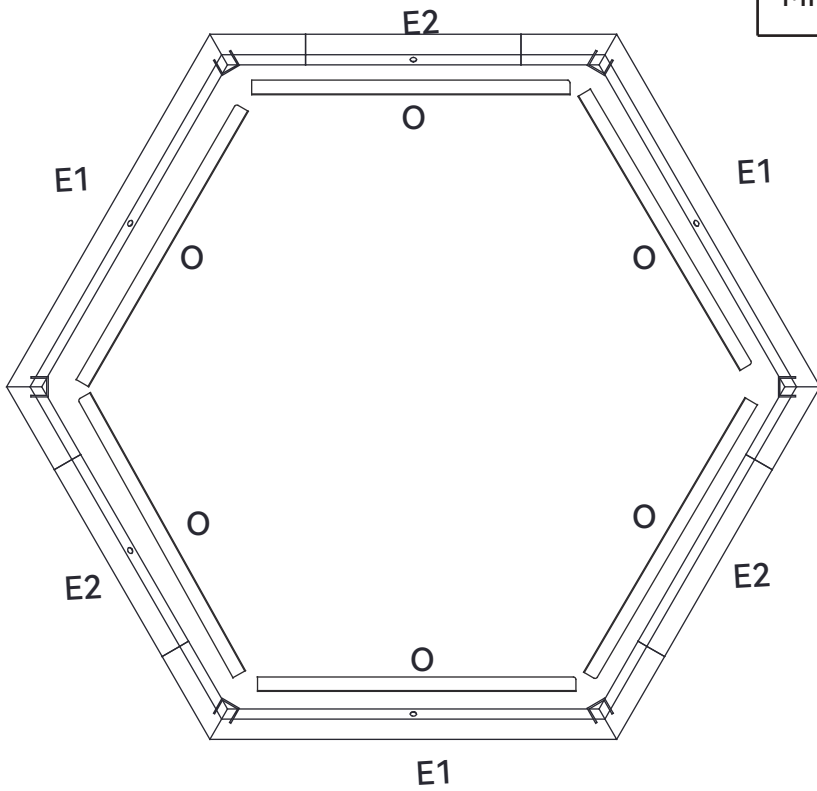


When assembling the ceiling panel, ensure that the solar power supply frame S1 and ceiling panel N3 are secured simultaneously to the support tube L4 near the LED strip connector.

Installation Instructions

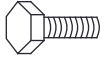

18 Installing the Short Trim Strip

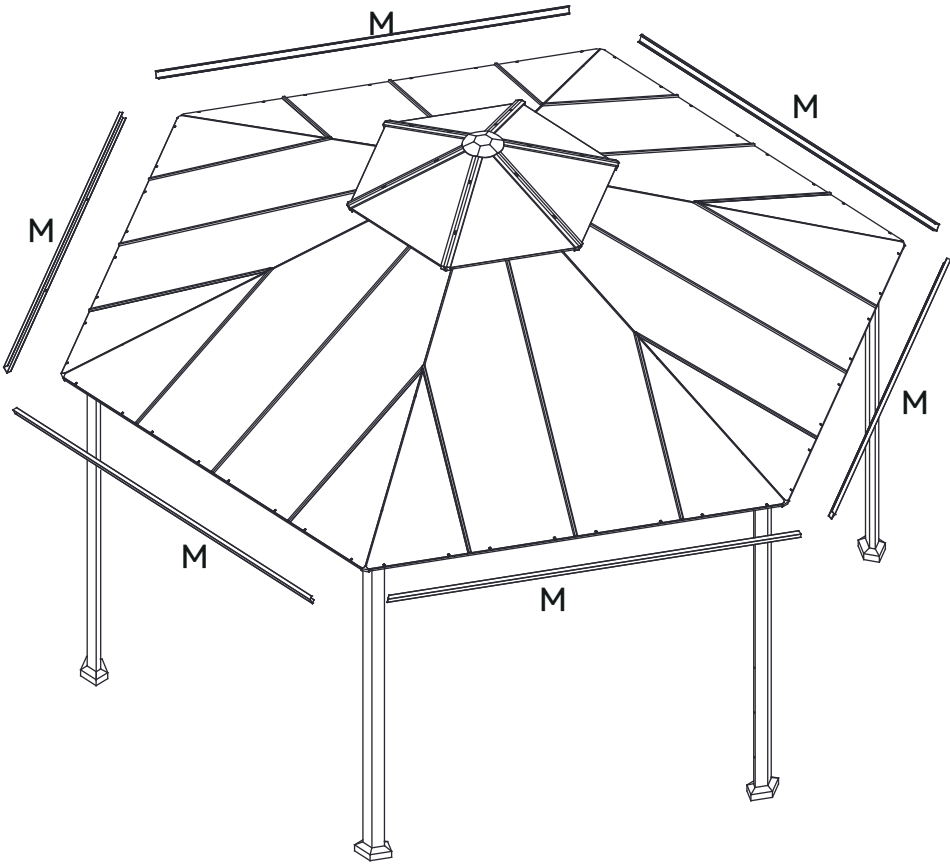
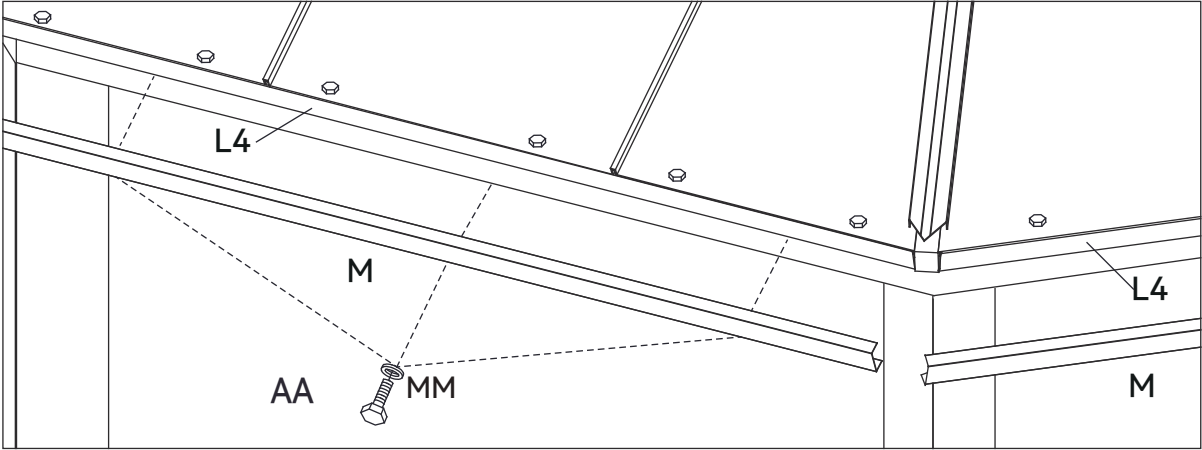
AA		M6*15	x12
MM		M6	x12



Installation Instructions

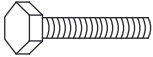

19 Installing the Edge Banding

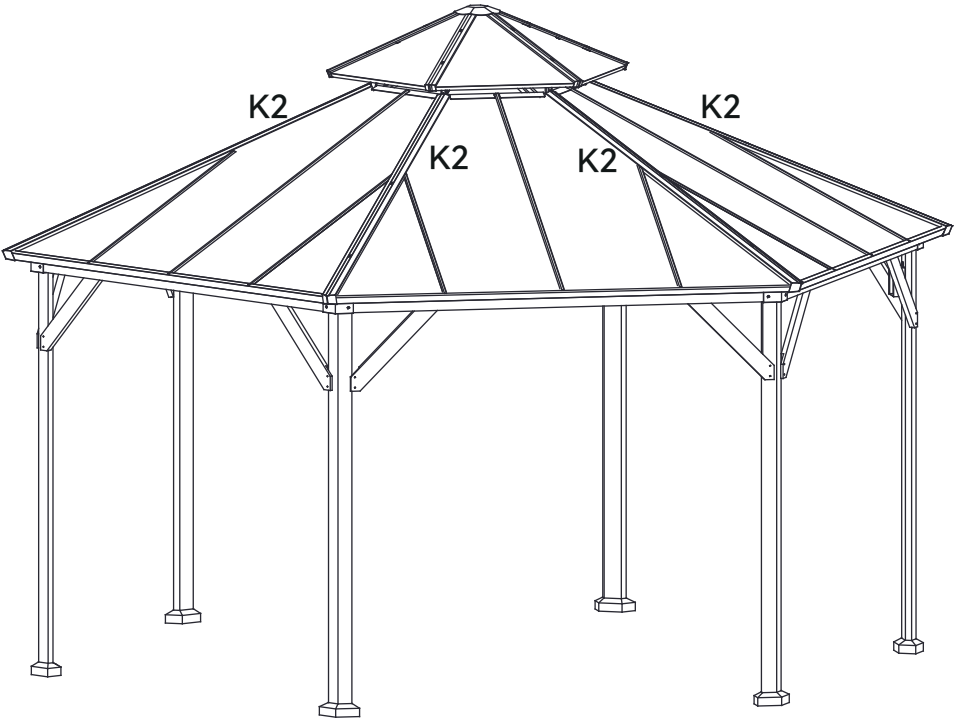
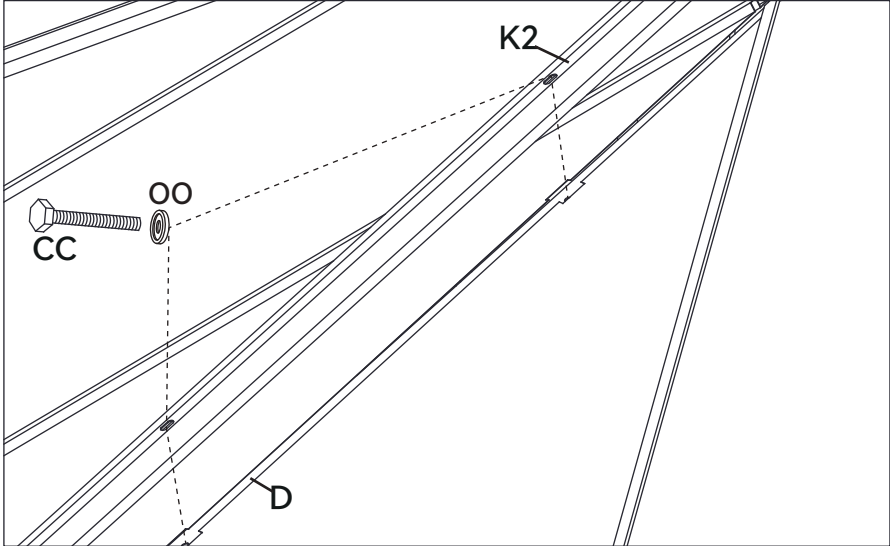
AA		M6*15	x18
MM		M6	x18



Installation Instructions


20 Installing the Big Top Panel Cover

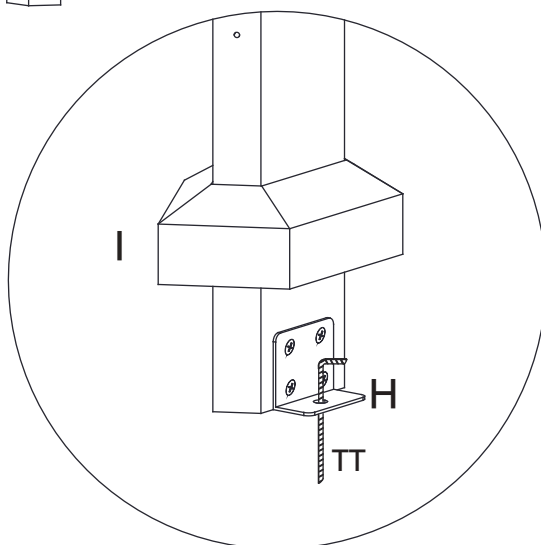
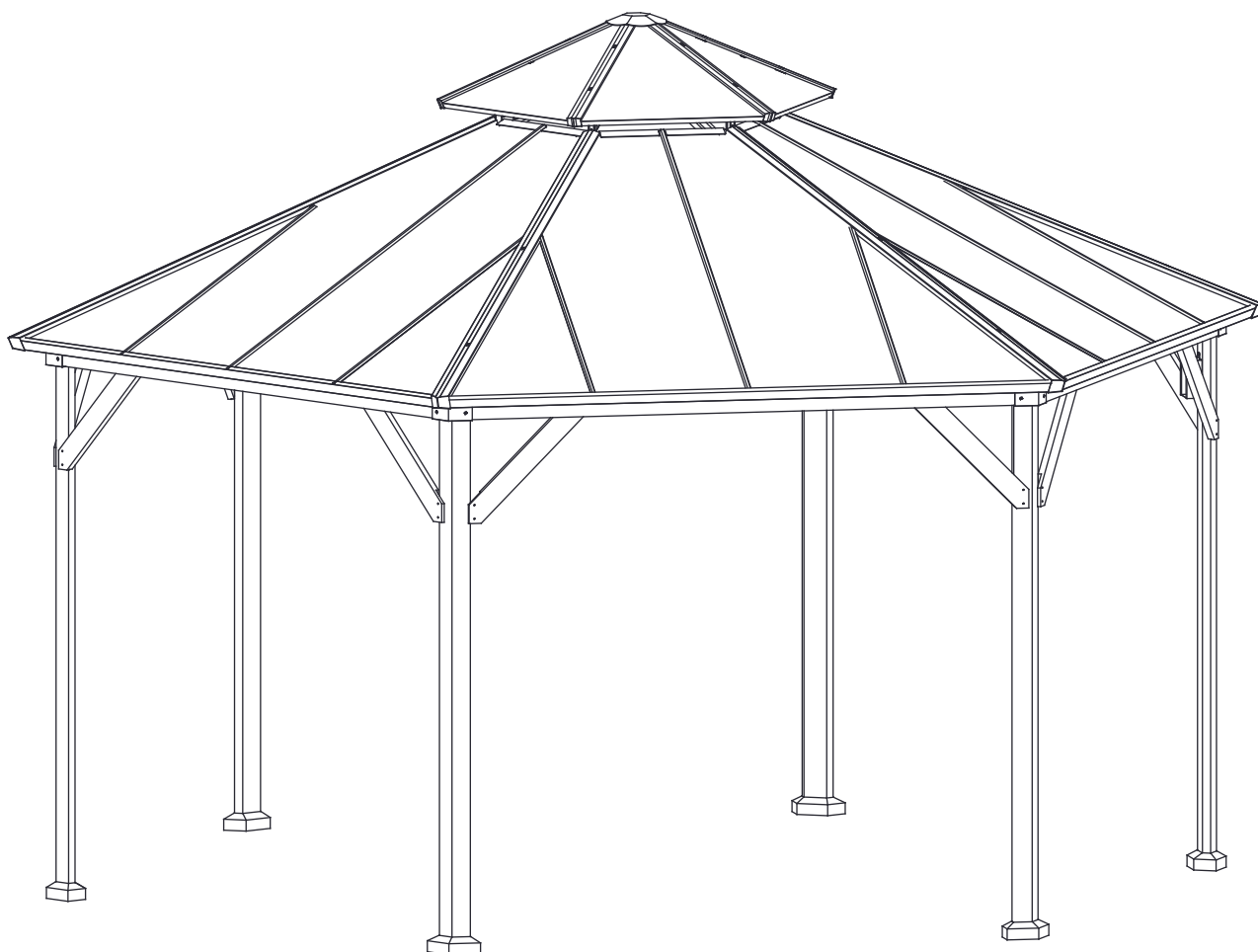
CC		M6*35	x12
OO		M6	x12



Installation Instructions

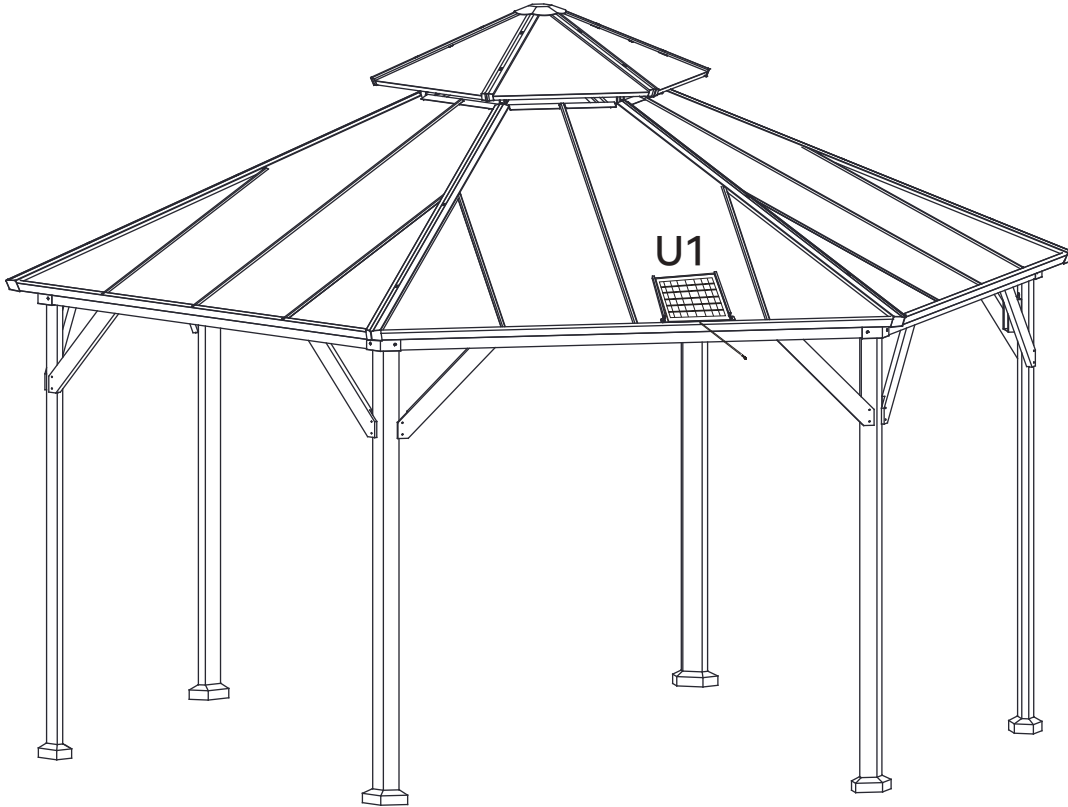
21 Installing the Stake

TT		x6
----	---	----

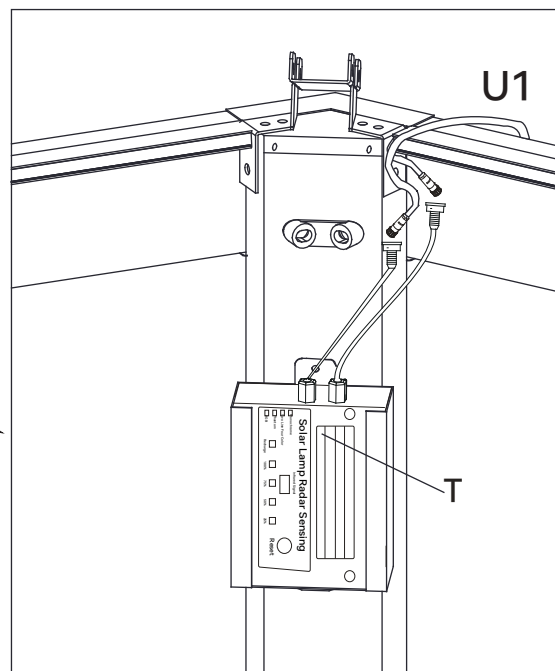


Installation Instructions

22 Installing the Monocrystalline Photovoltaic Panel




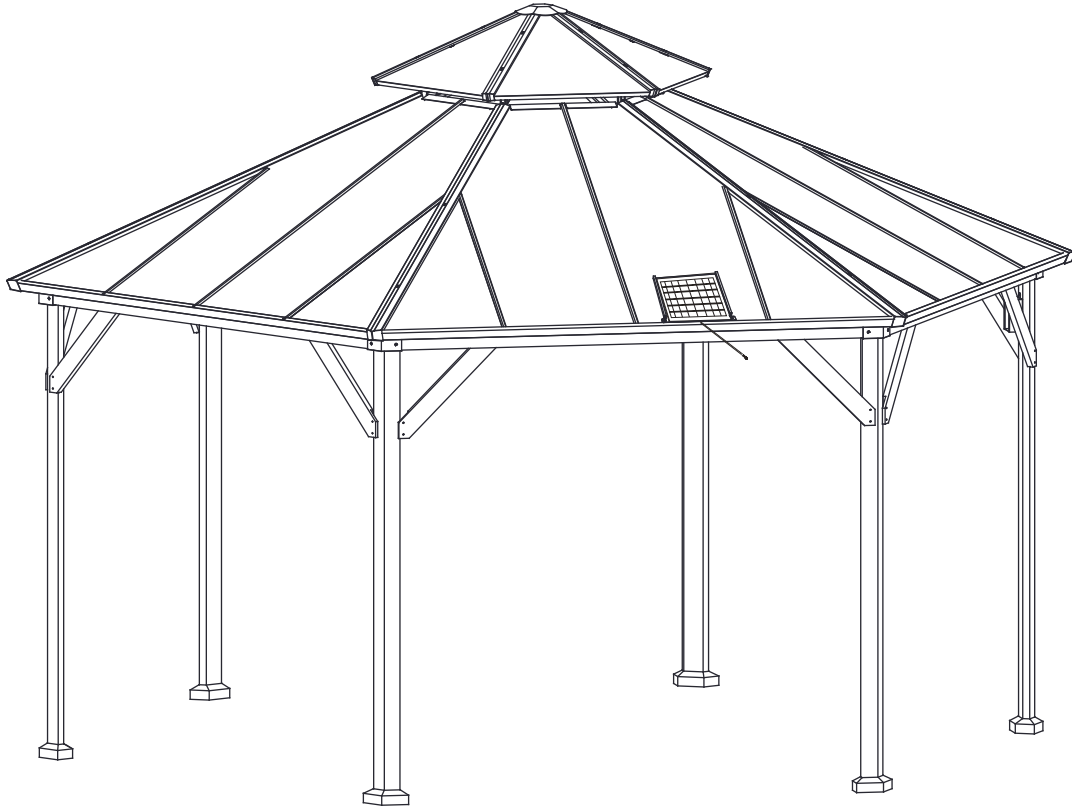
Insert the monocrystalline photovoltaic panel U1 into the solar power supply frame S1. Then route the panel's connecting cable around the crossbeam and connect it to the Solar Lamp Radar Sensing T



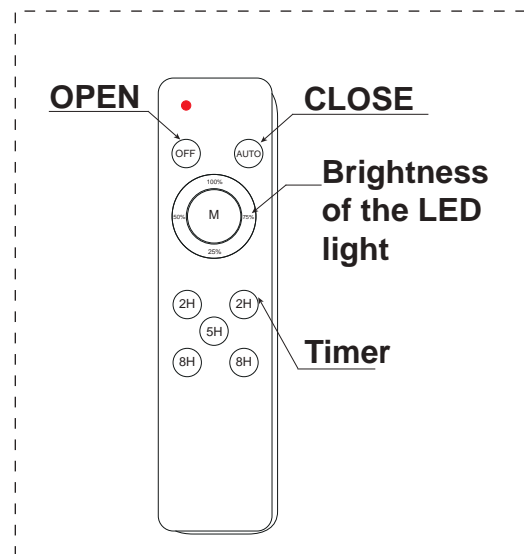
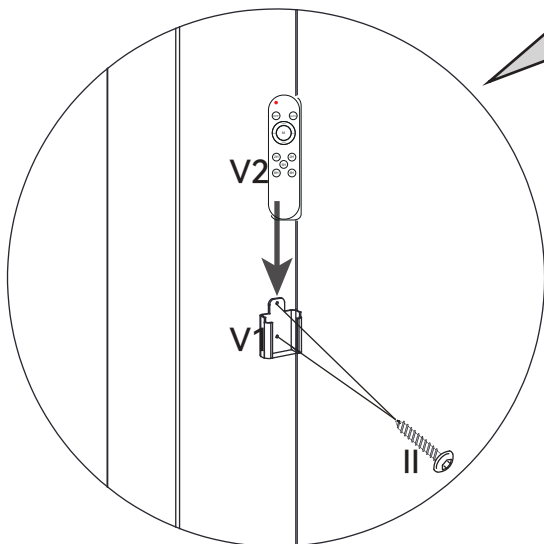
Installation Instructions

23 Installing the Remote Control

II		M5*20	x2
----	---	-------	----



Choose a post and height that is easy to reach, and then install the remote control to the post by using bolts (II) .



Item Maintenance & Precautions

Your HEXAGONAL PAVILION is designed and constructed of quality materials. As with all outdoor products it will weather and wear. To maximize the enjoyment, safety and life of your structure it is important that you, the owner, properly maintain it.

Maintenance Schedule:

Weekly: Wipe LED strips and solar panel with a soft cloth to remove dust/debris (ensures solar charging efficiency).

Monthly: Inspect and retighten all hardware (especially after heavy rain/wind).

Annually: Apply water-based water repellent/stain to wood parts (critical for humid regions like the Southeast);

Seasonally: Clear roof debris (leaves, pine needles) – mandatory for areas with heavy rainfall (prevents water damage).

- Inspect and tighten all hardware after completion of assembly; after first month of use; and then annually. Do not over-tighten as to cause crushing and splintering of wood.
- Check for sharp edges or protruding screw threads, add washers if required.

WOOD PARTS:

- Applying a water repellent or stain (water-based) on a yearly basis is important maintenance to maintain maximum life and performance of the product.
- Check all wood members for deterioration, structural damage and splintering. Sand down splinters and replace deteriorated wood members. As with all wood, some checking and small cracks in grain is normal
- Some gapping may occur at some wood connections.